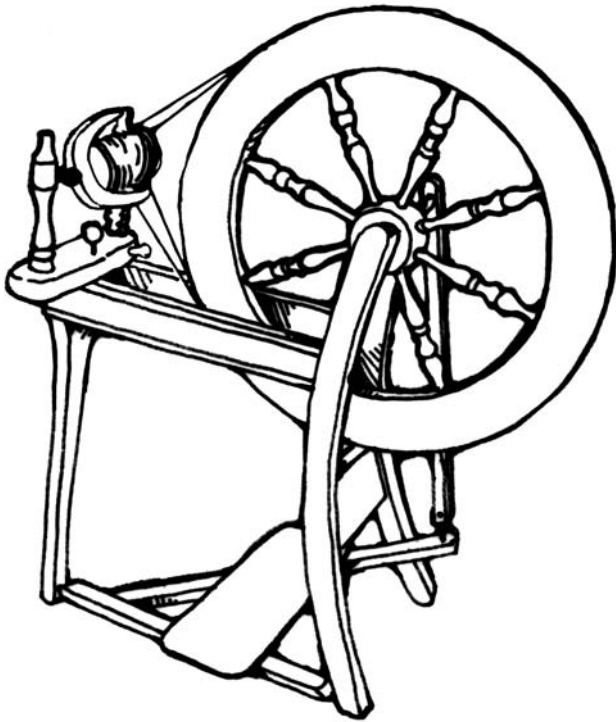
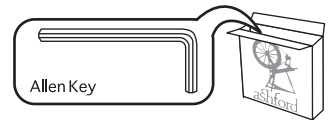
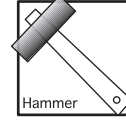


ASSEMBLY INSTRUCTIONS FOR THE ASHFORD TRADITIONAL SPINNING WHEEL

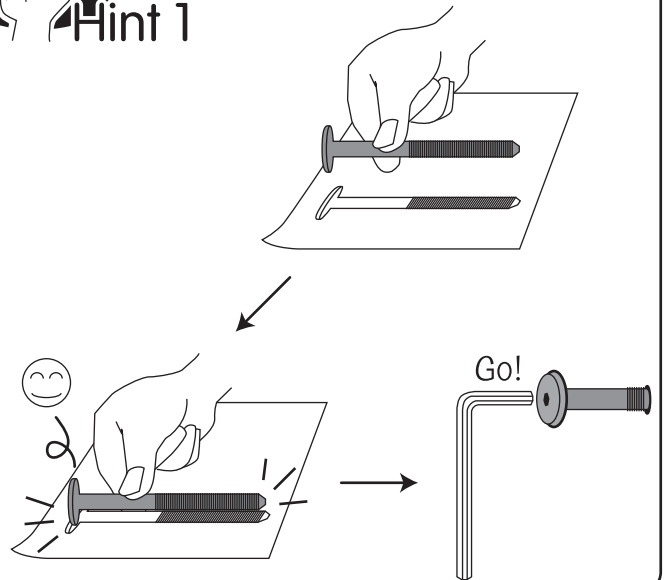
- Double Drive -



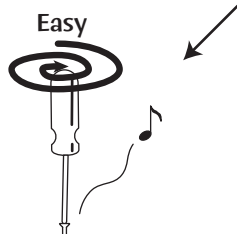
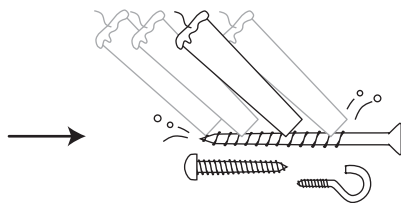
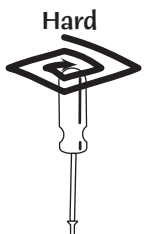
TOOLS



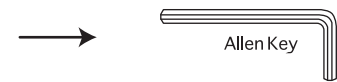
Hint 1

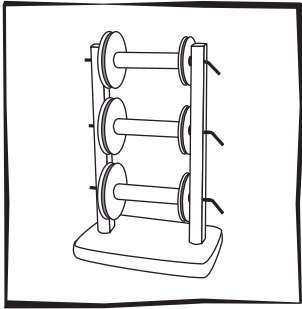


Hint 2

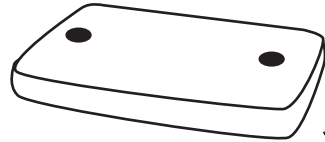
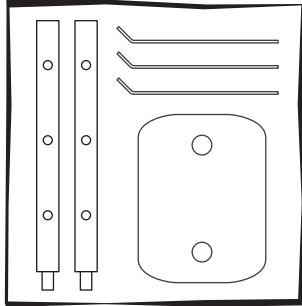


Hint 3

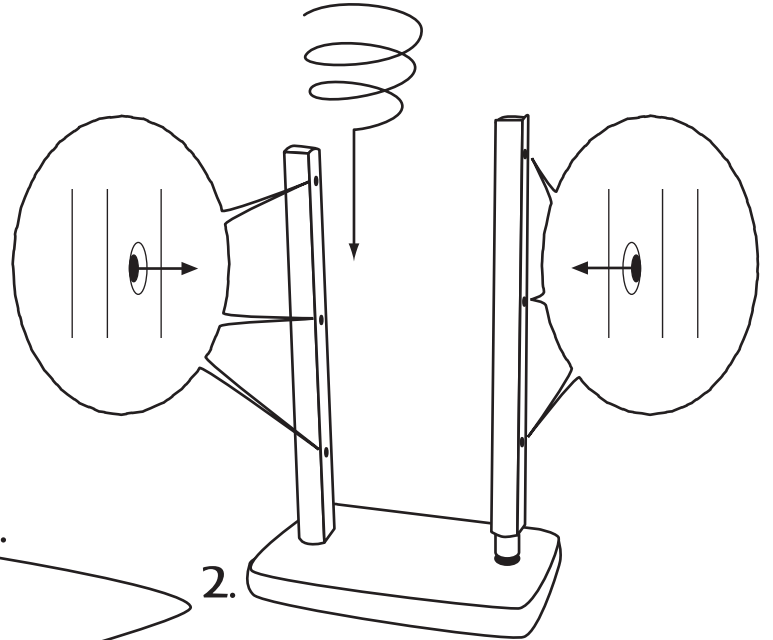




1

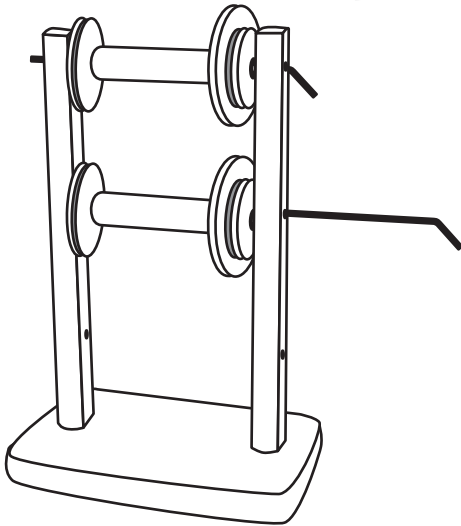


1.

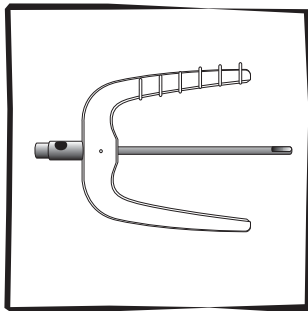
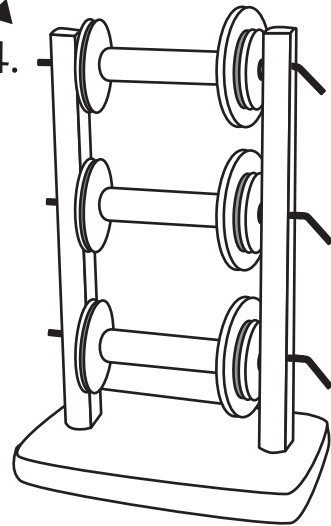


2.

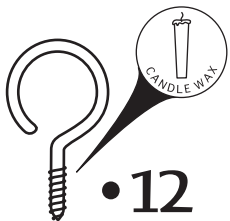
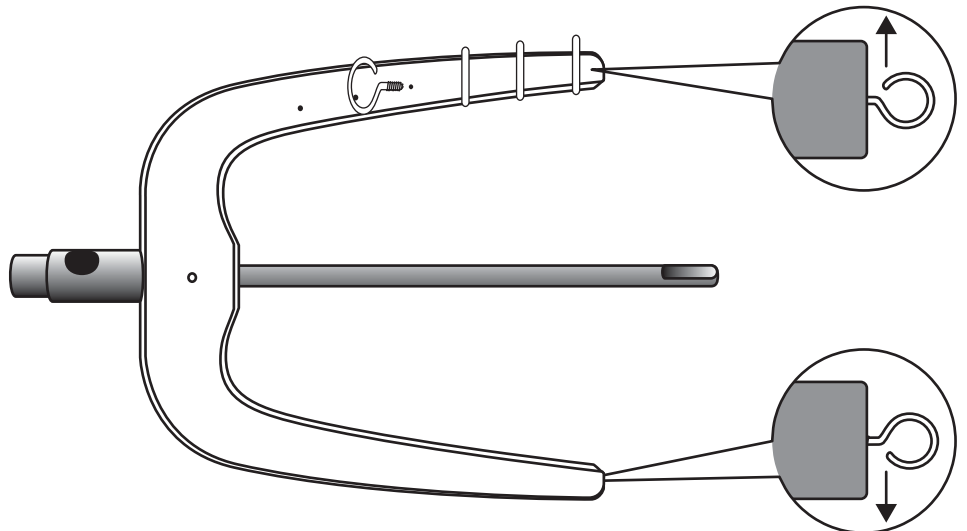
3.



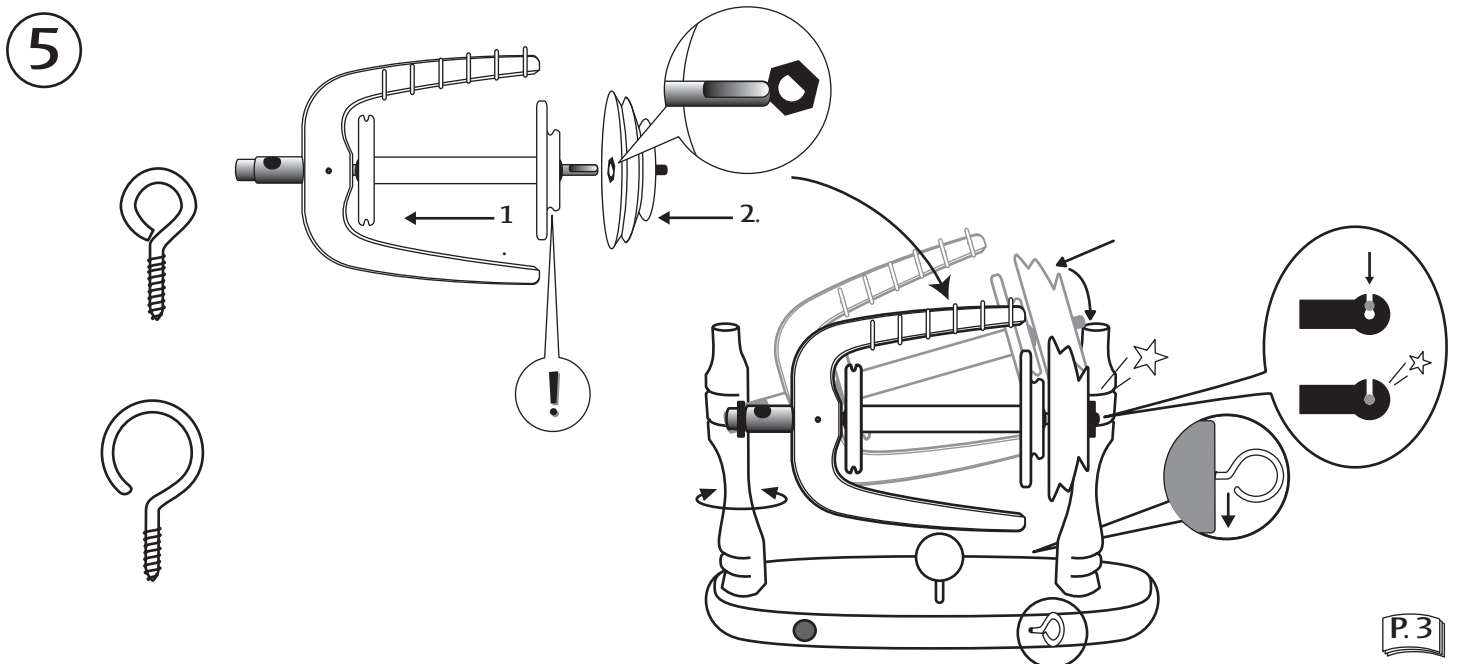
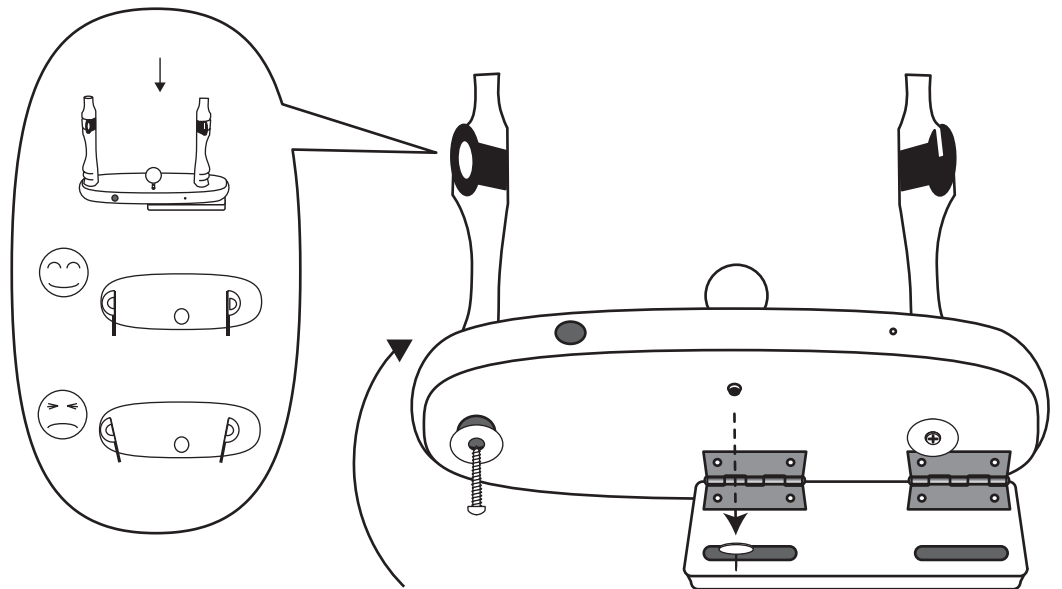
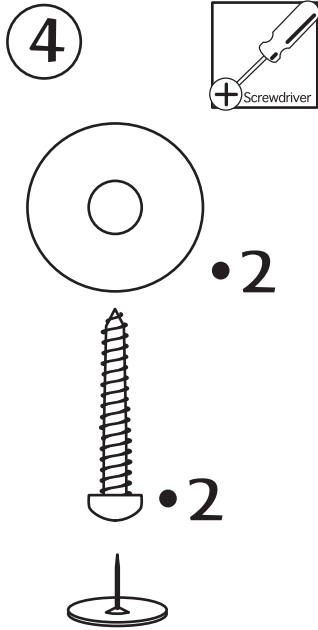
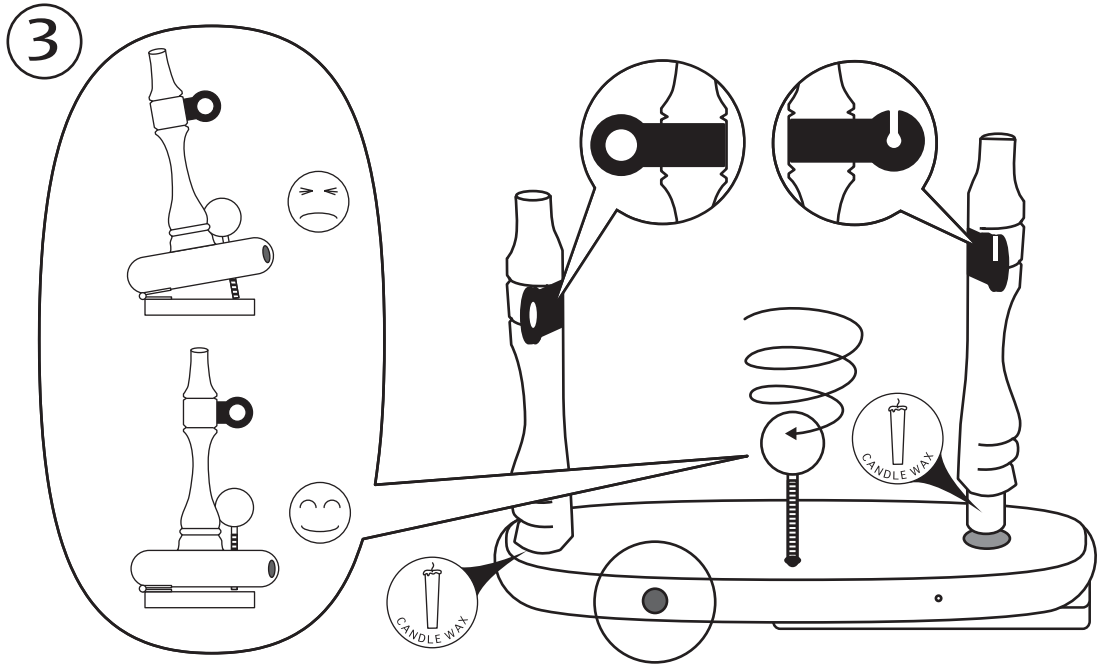
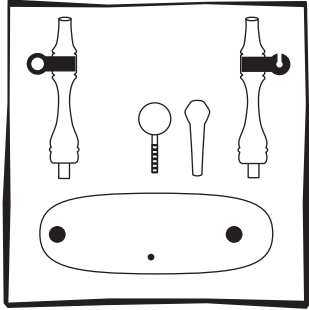
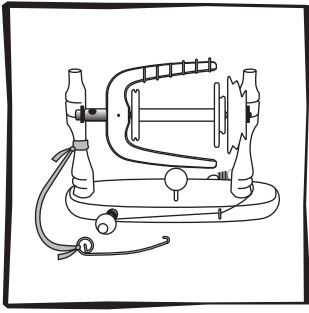
4.

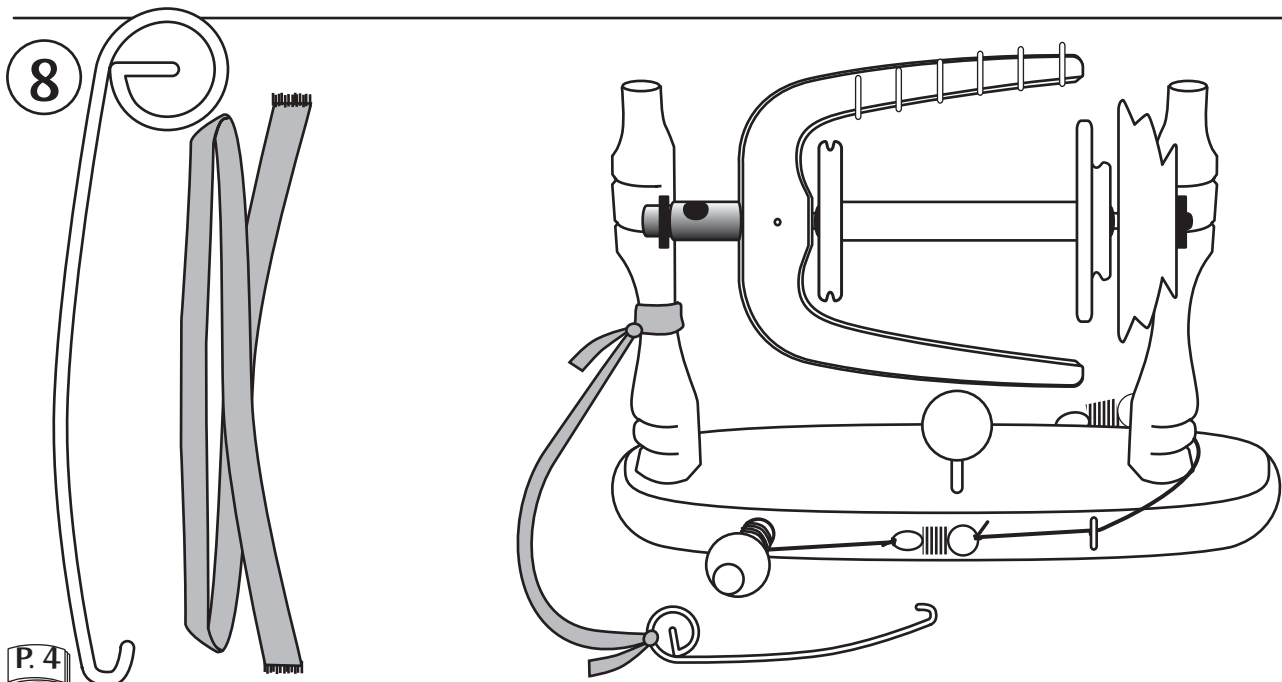
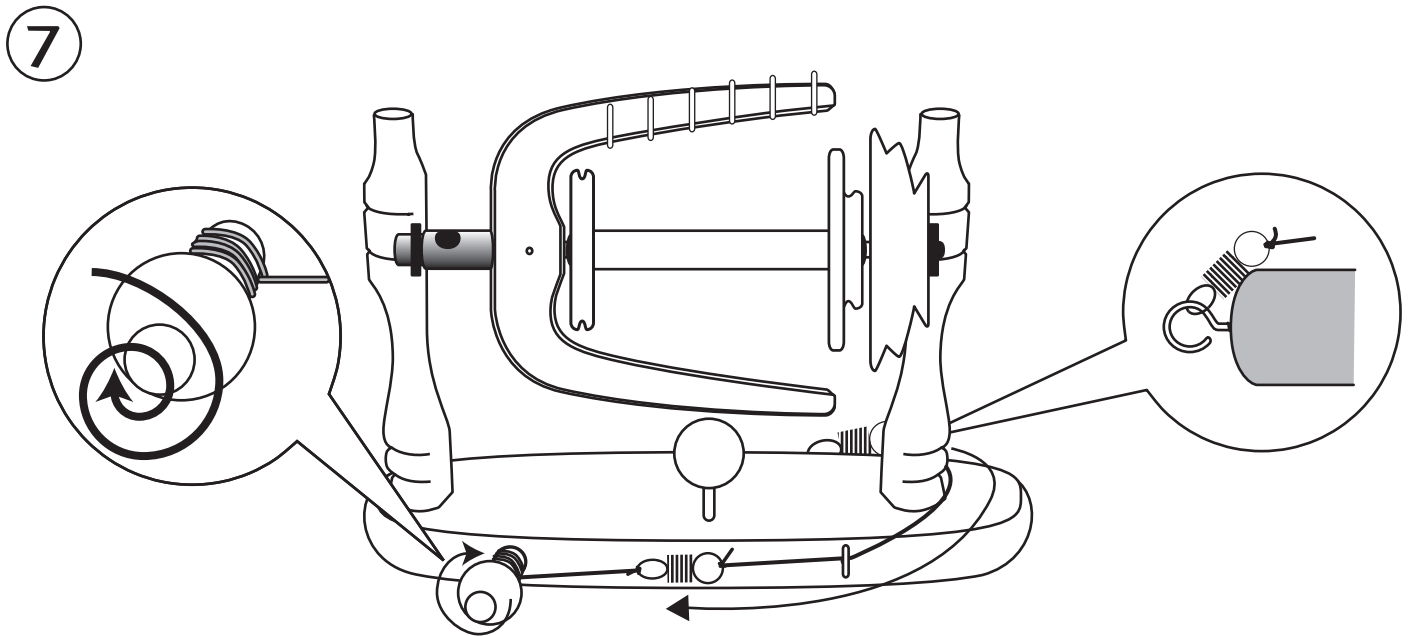
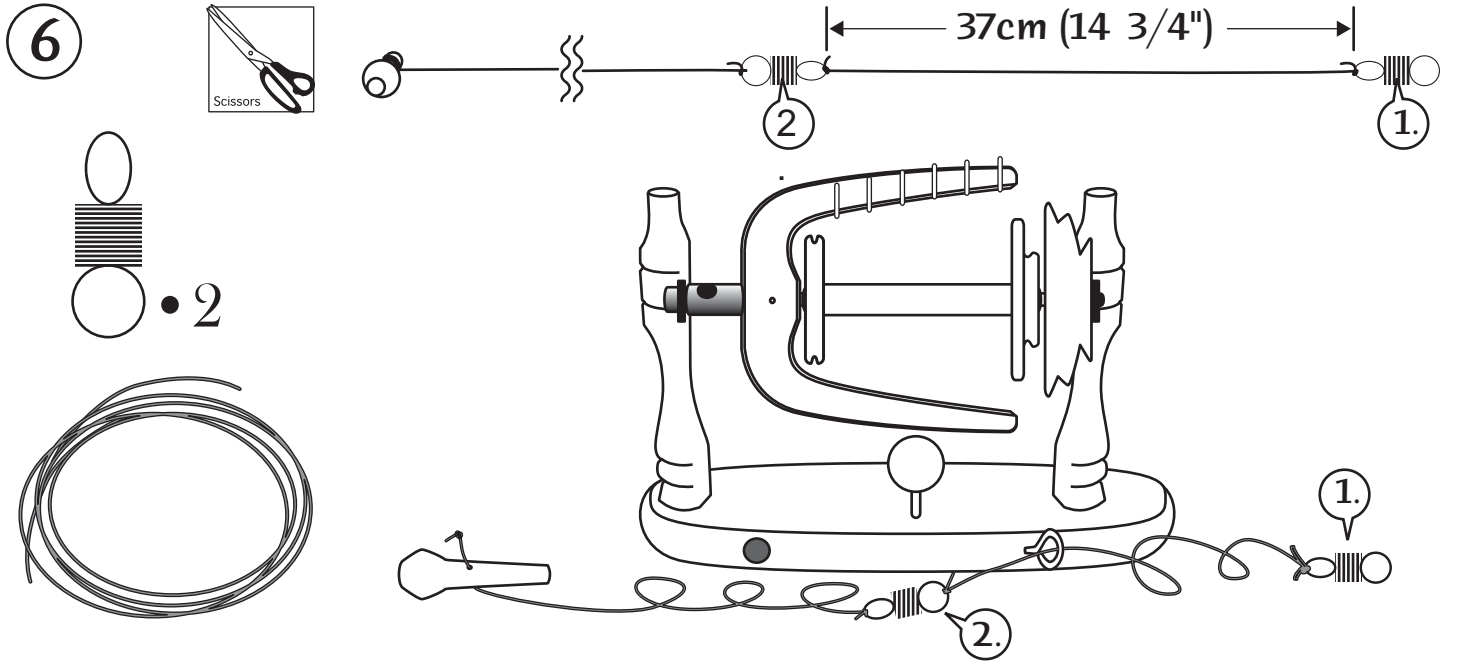


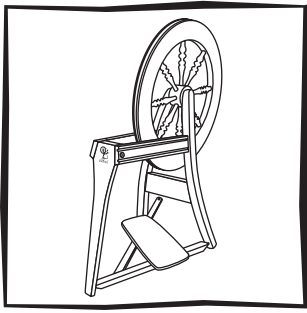
2



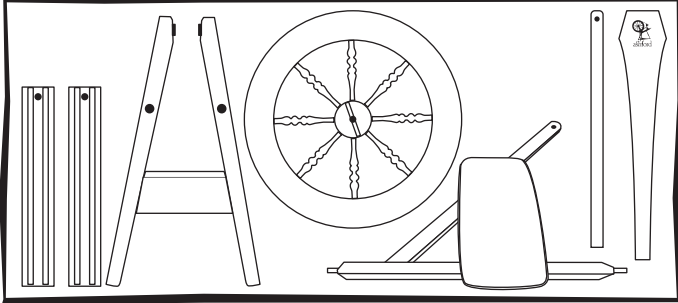
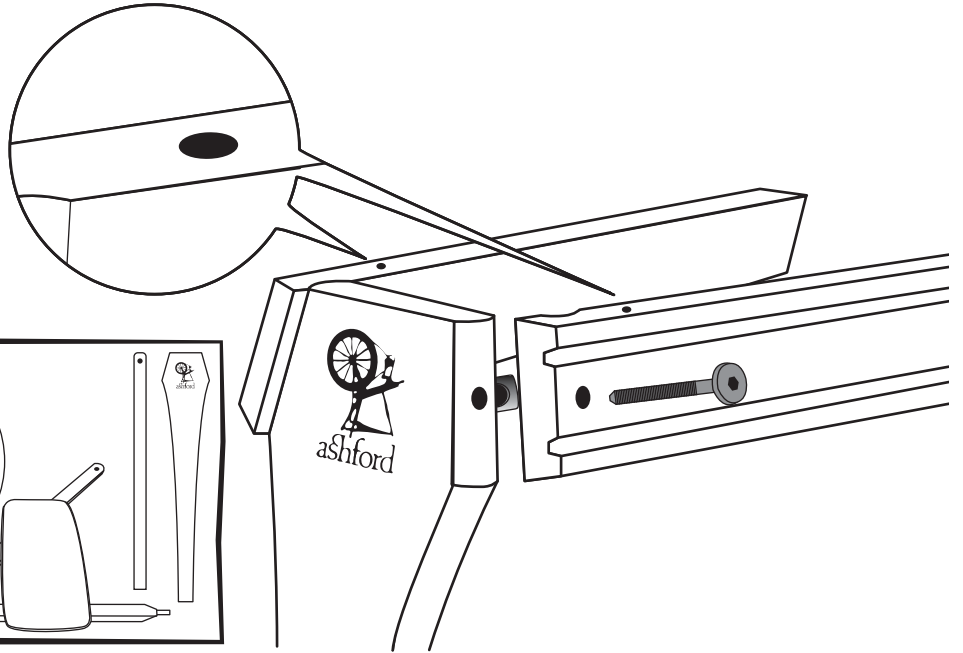
• 12







9



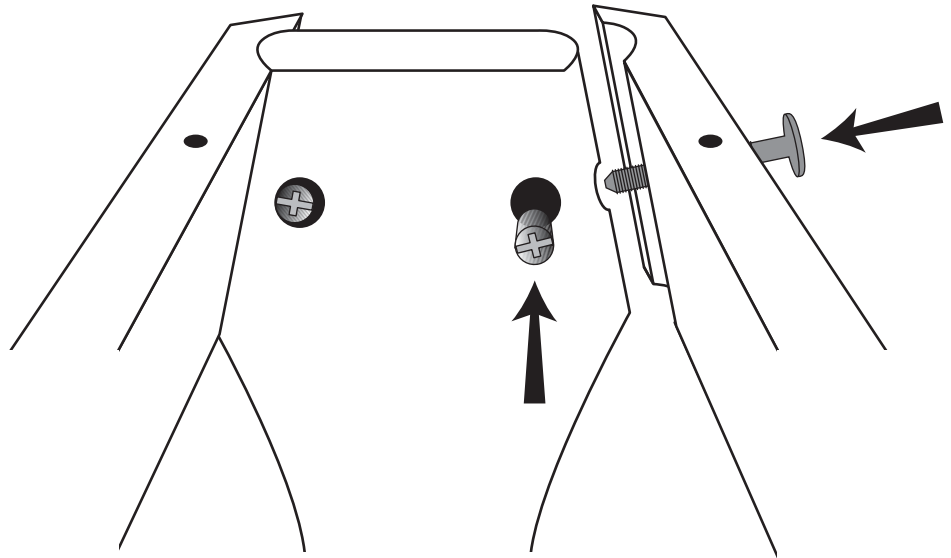
10 Allen Key



X2

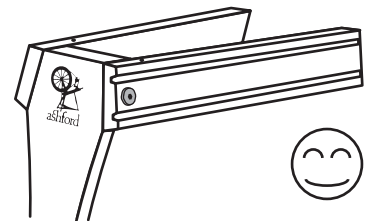
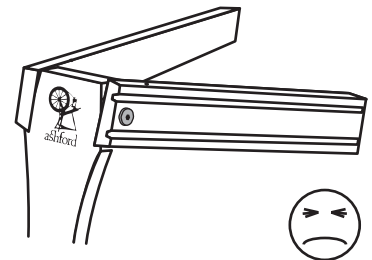
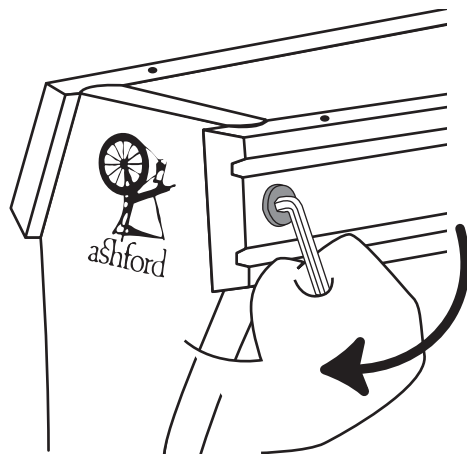


X2

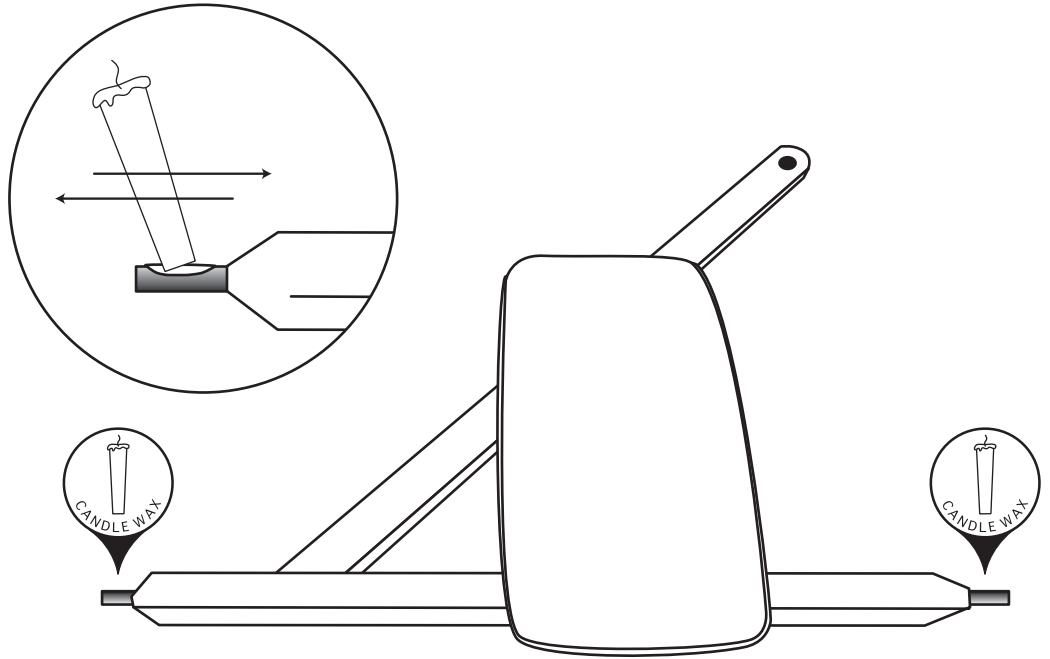


11

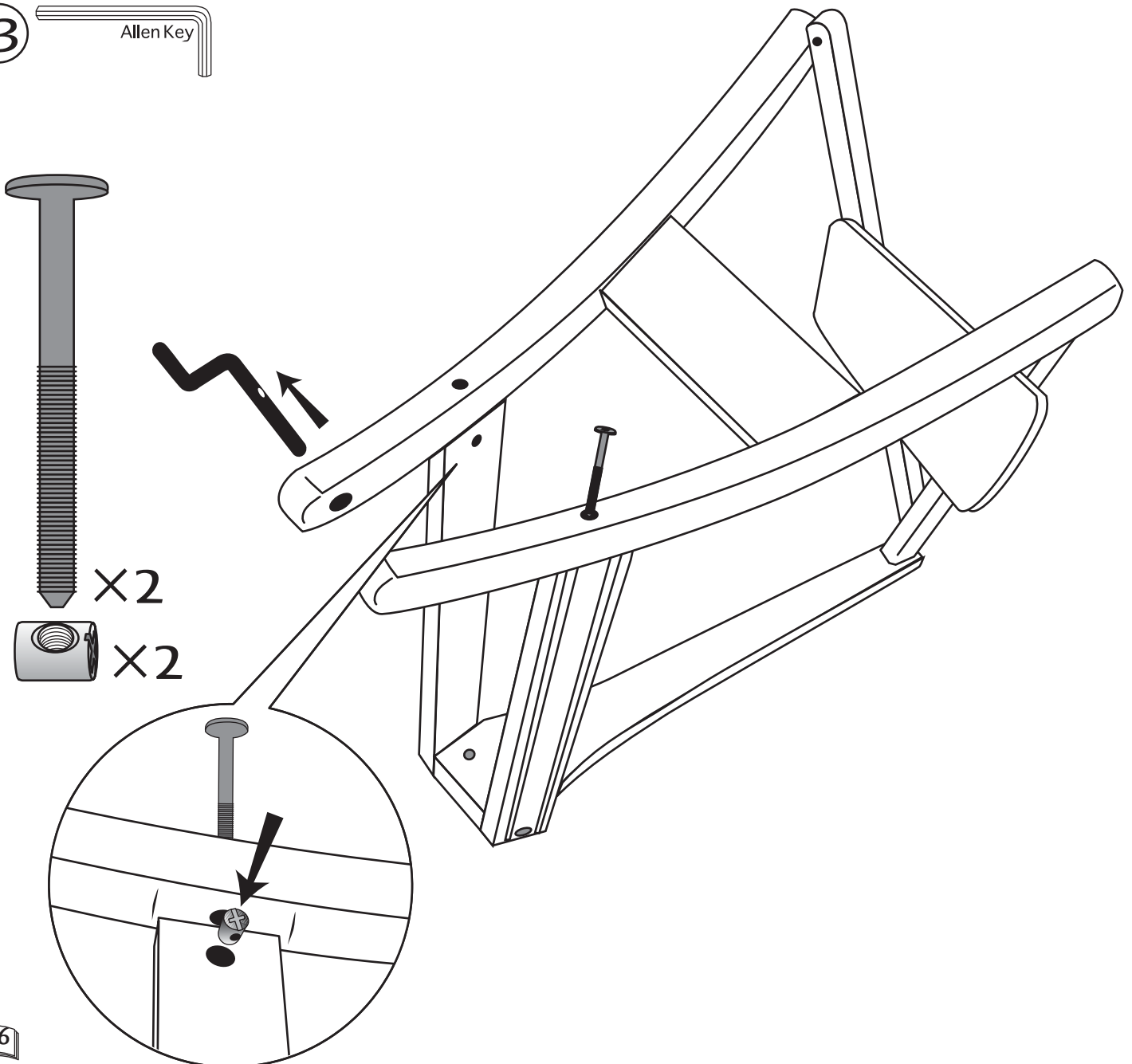
!Check



12

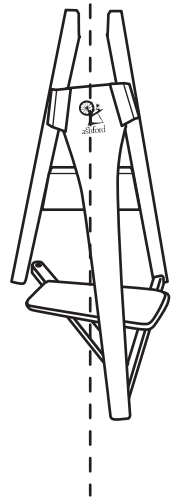
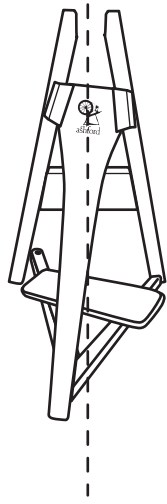


13



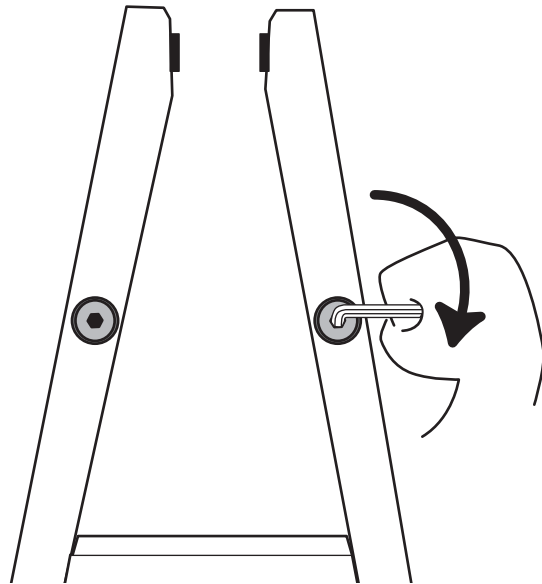
14

!Check

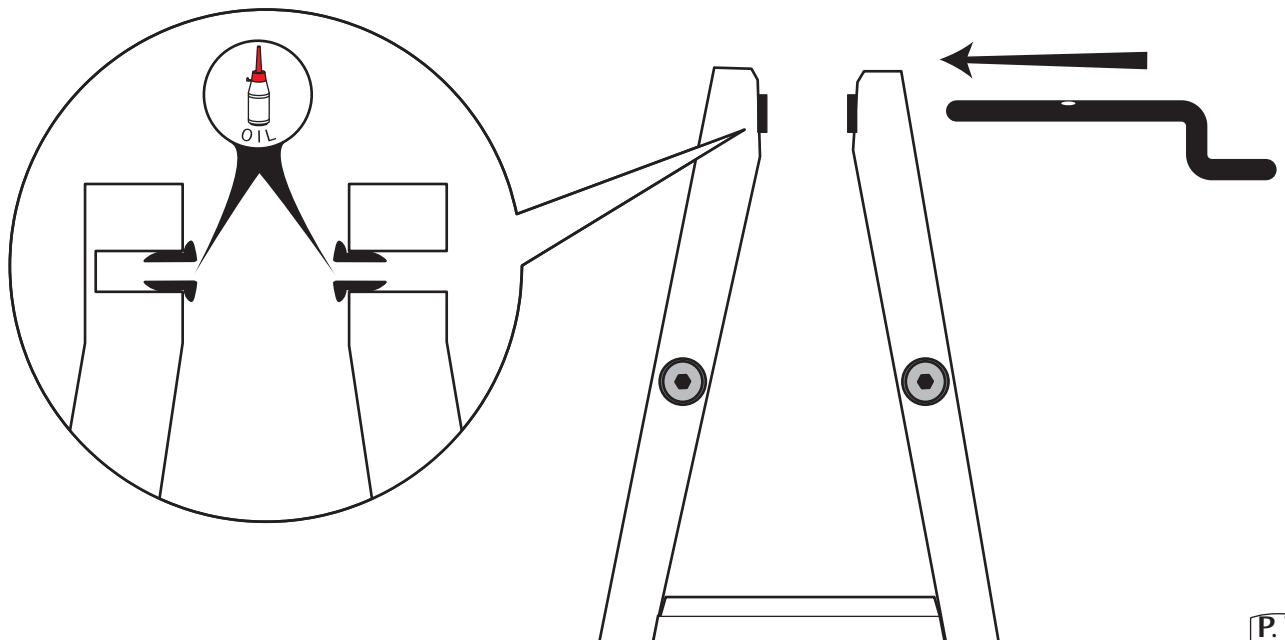


15

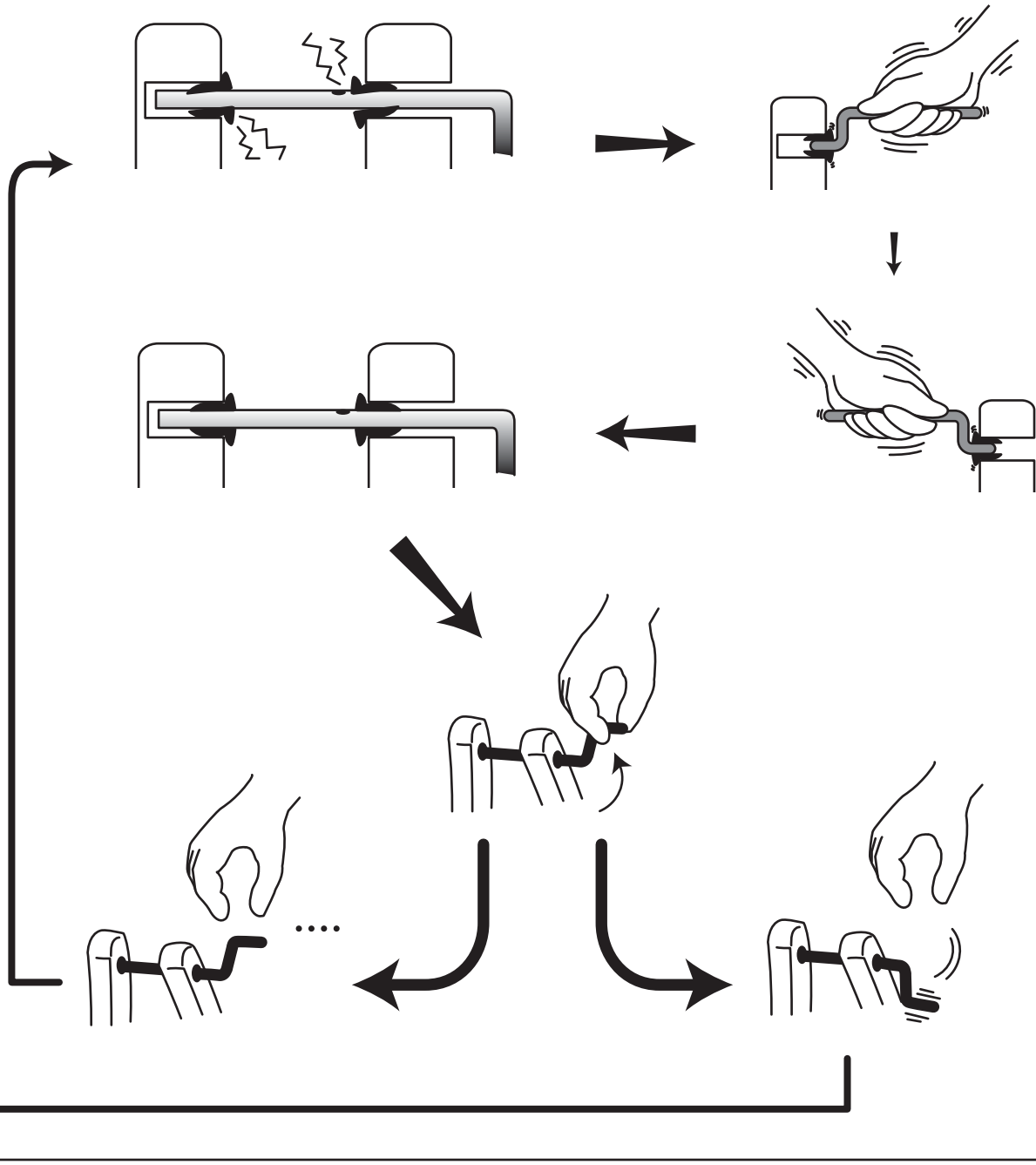
Allen Key



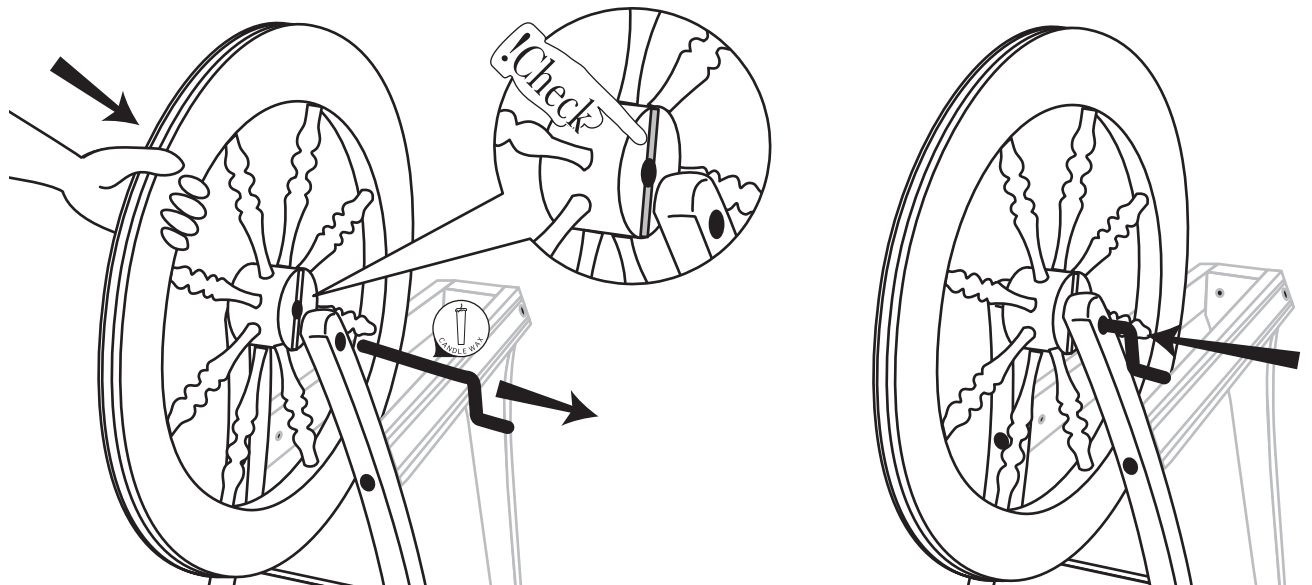
16



17

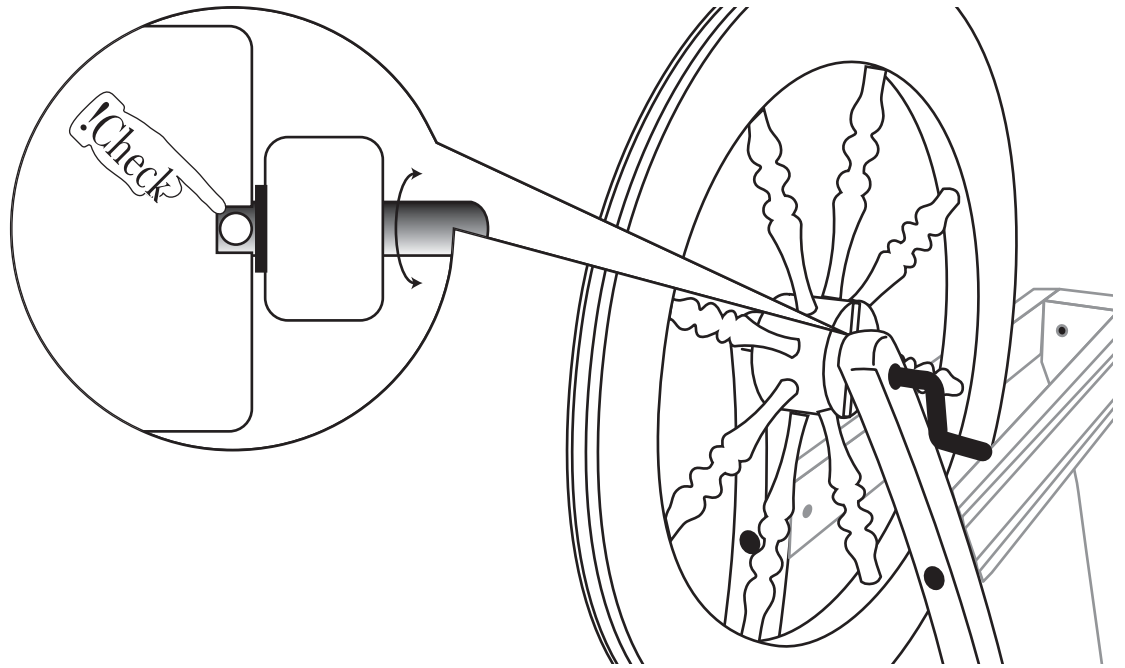


18

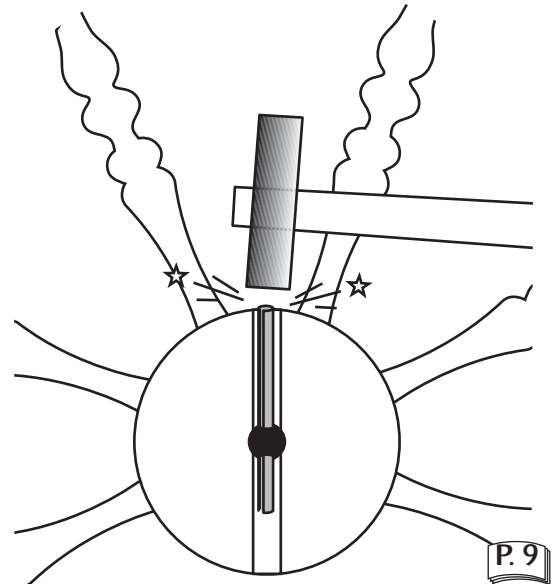
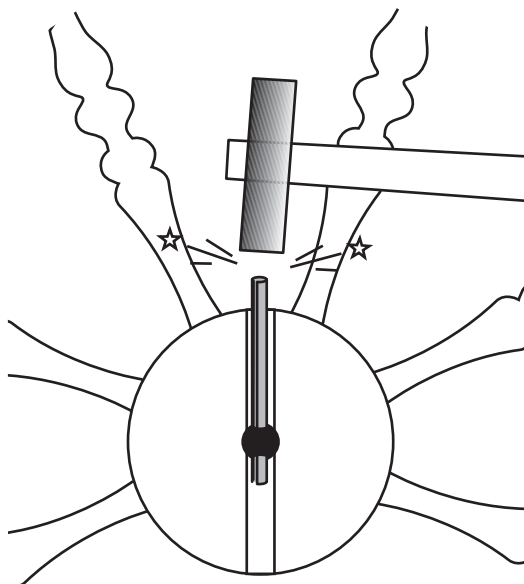
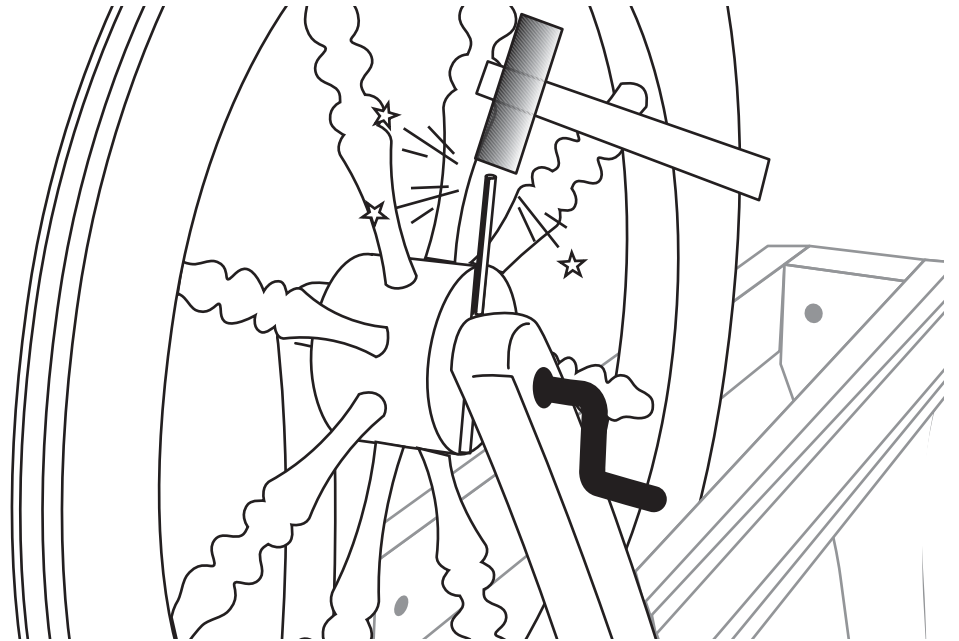
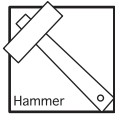


19

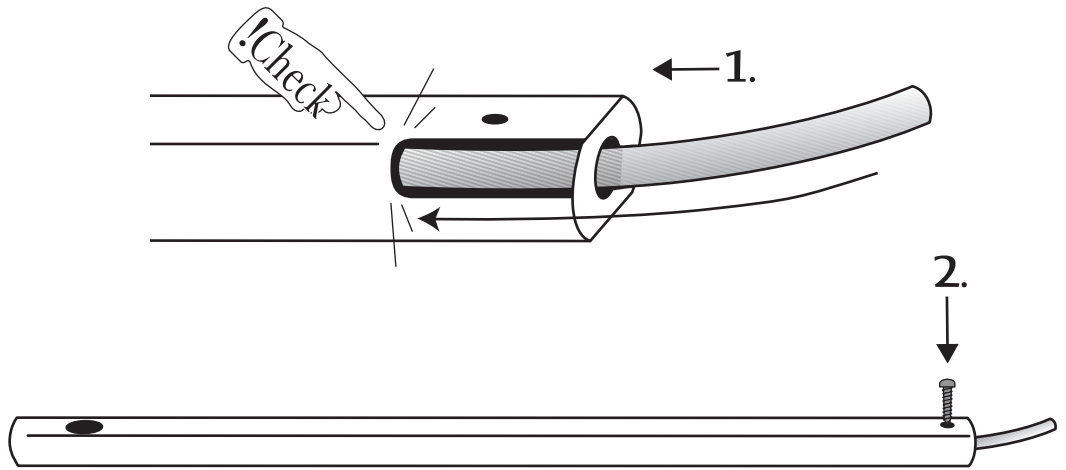
!Check



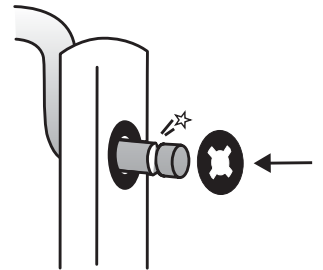
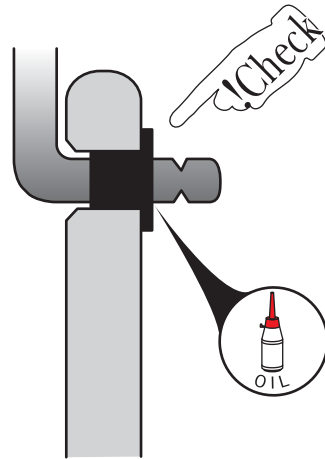
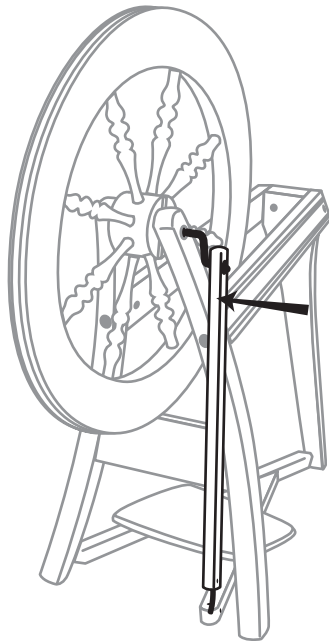
20



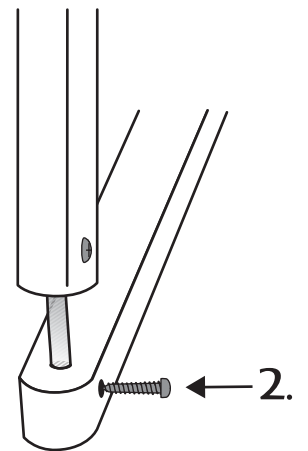
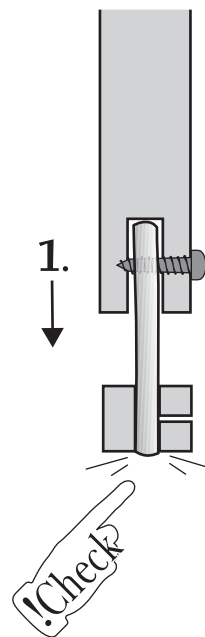
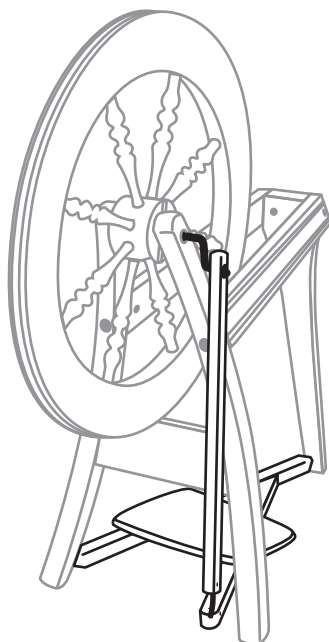
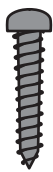
21

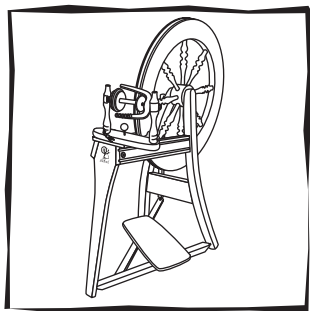


22

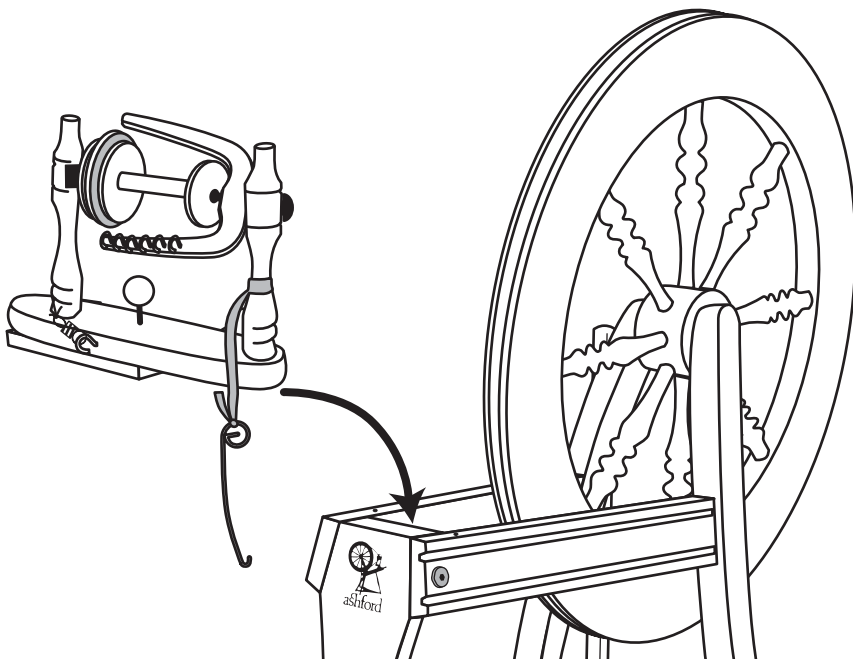


23





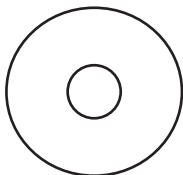
24



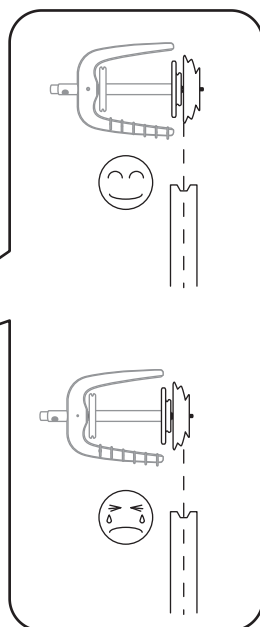
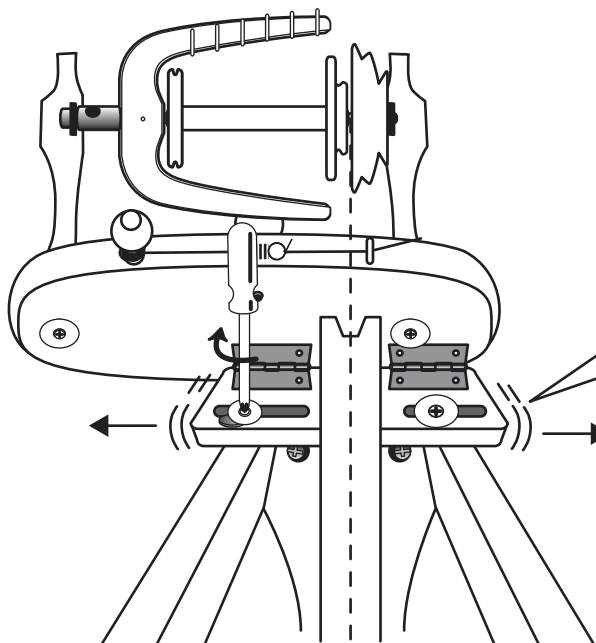
25



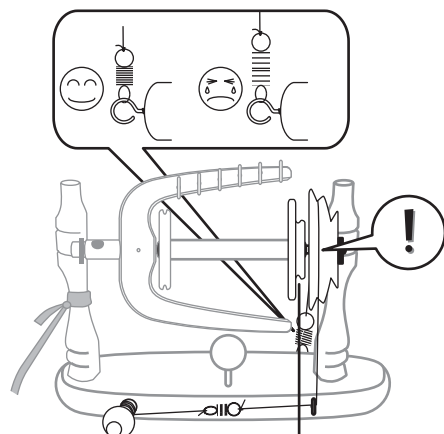
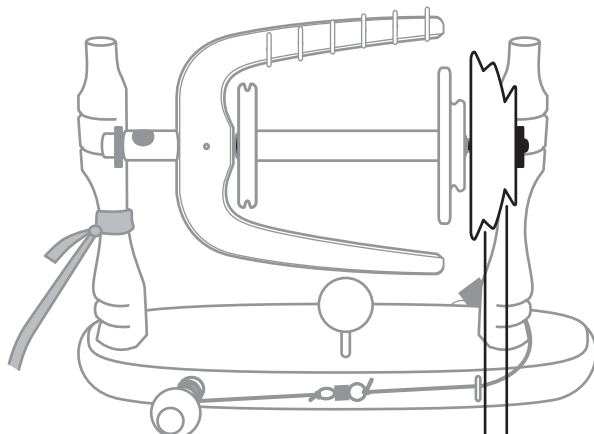
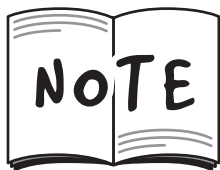
• 2



• 2



26



75 :



10 : 1



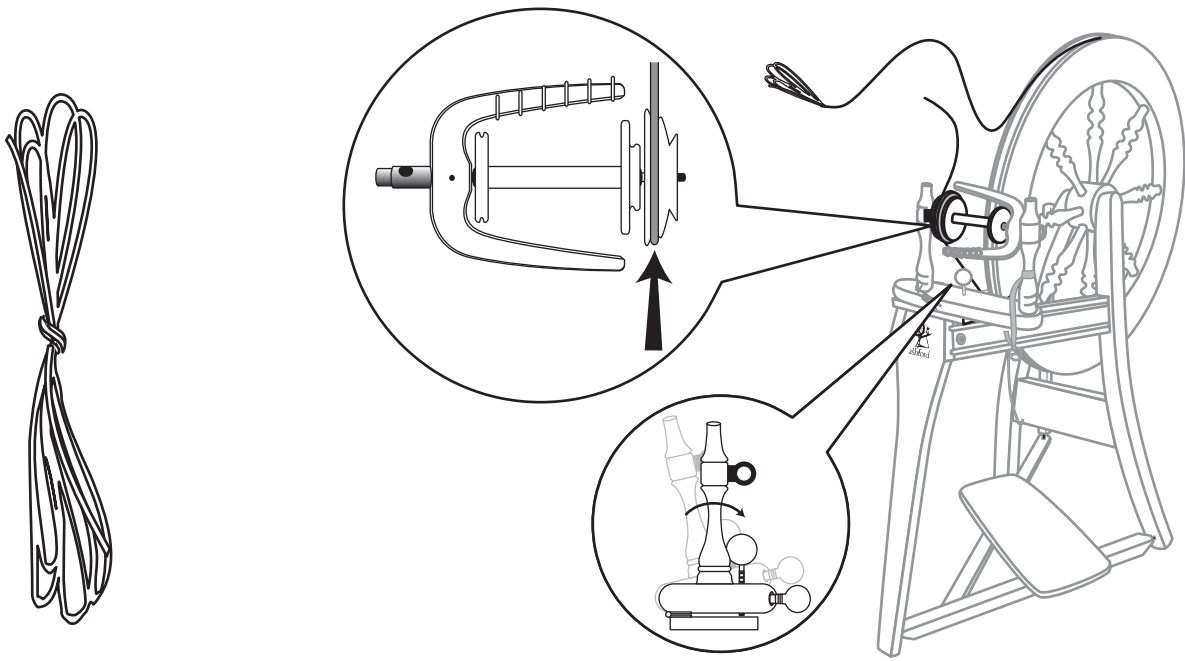
14 : 1



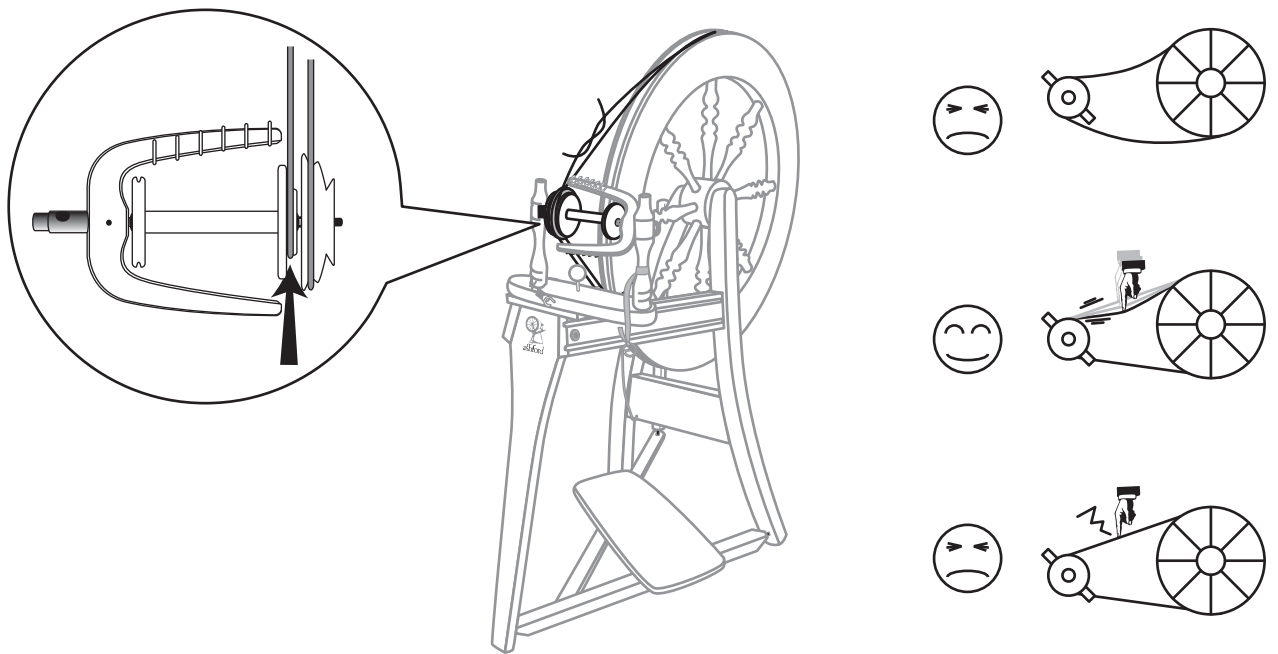
1



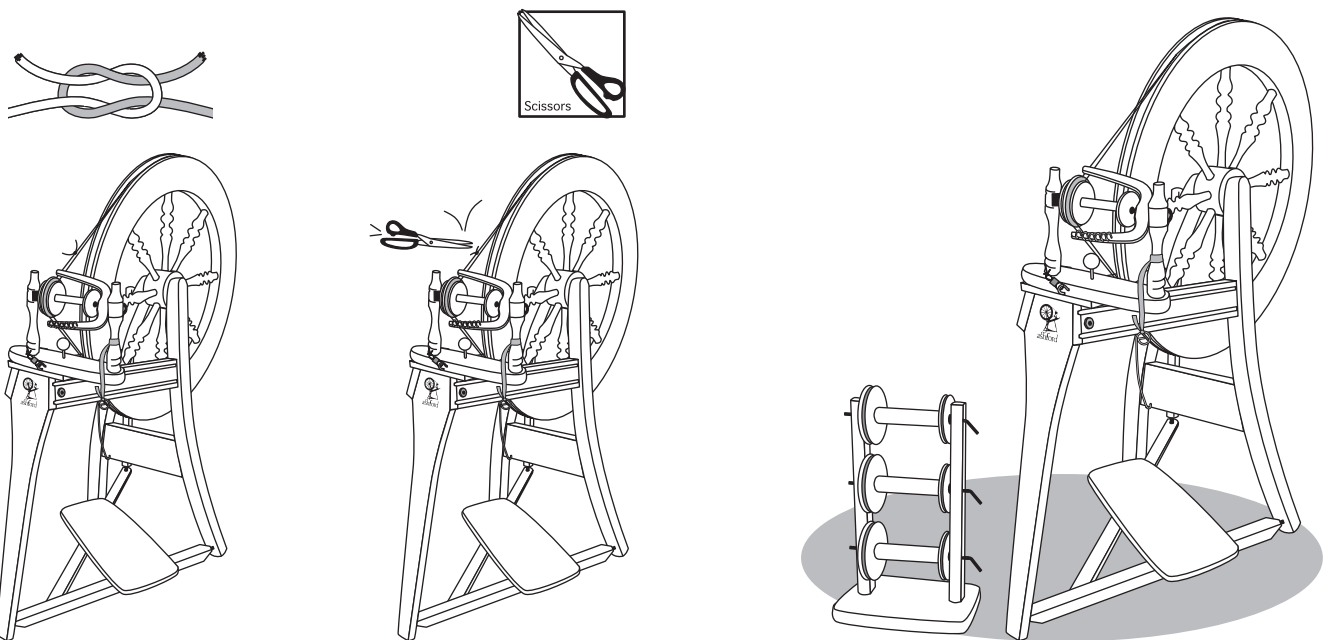
27



28



29





Does not pull yarn in

Drive band tension is too loose.

2-3cm

Or →

Or →

Yarn breaks

Drive band tension is too tight.

2-3cm

Or →

Or →

Hard to Treadle

OIL

OIL

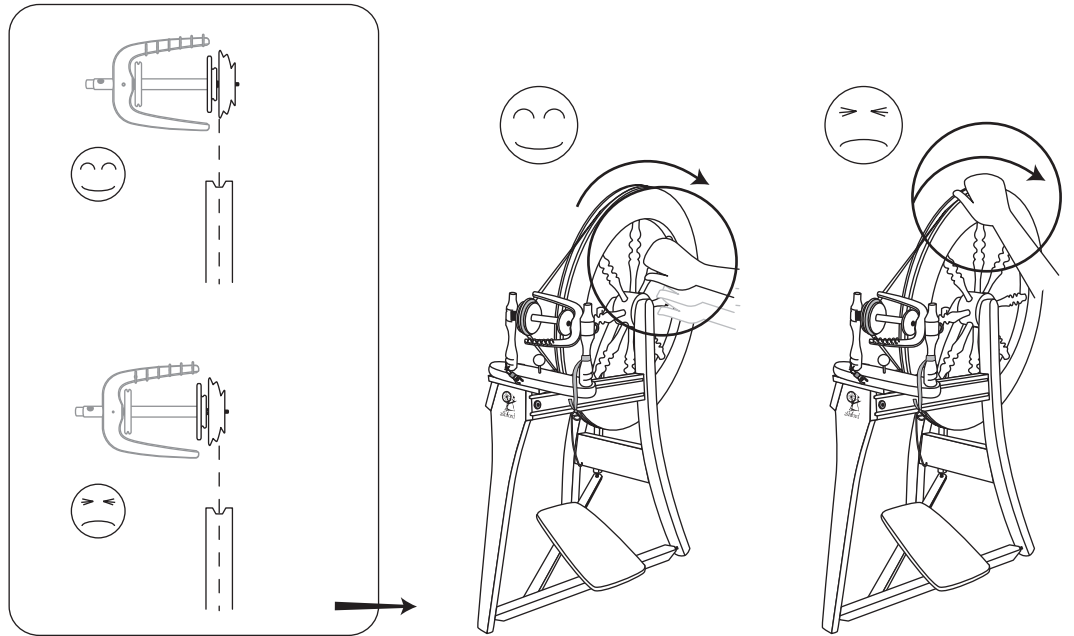
CANDLE WAX

CANDLE WAX

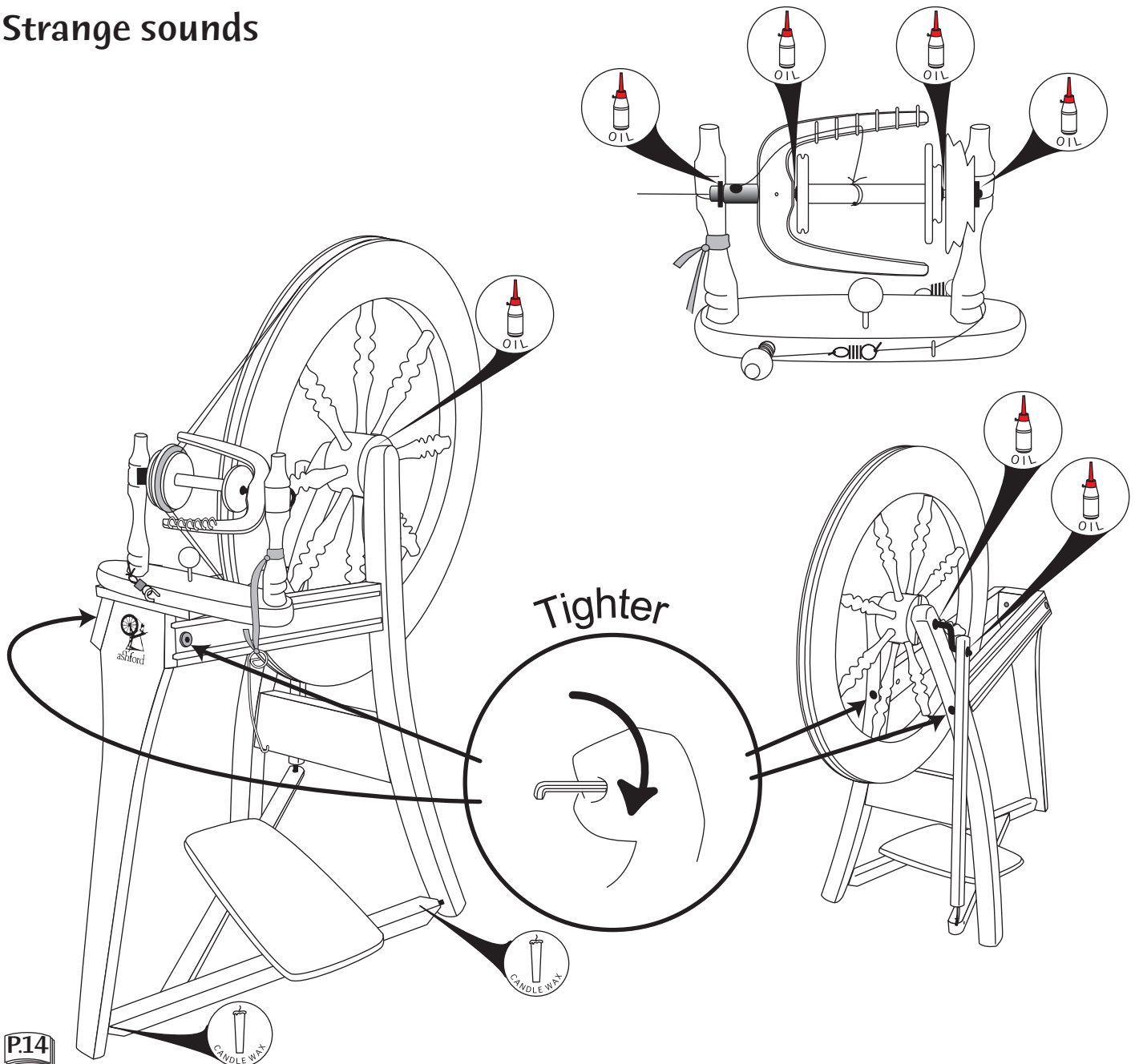
Or →

Or →

Drive band falls off easily

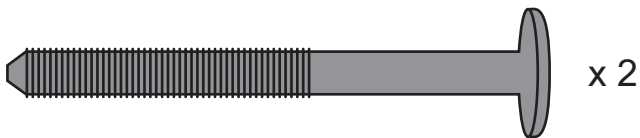


Strange sounds



Traditional Double Drive Spinning Wheel - Hardware List

1 x Double Drive Band
1 x Nylon Brake Band



1 x Hub Pin



1 x Flexible Conrod Joint



1 x Drawing Pin



13 x Cup Hooks



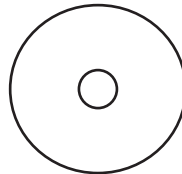
1 x Screw Eye



2 x Tension Springs



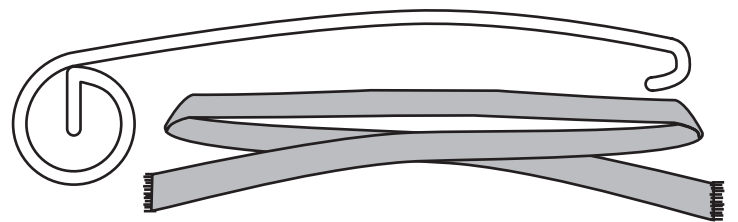
1 x "O" Clip



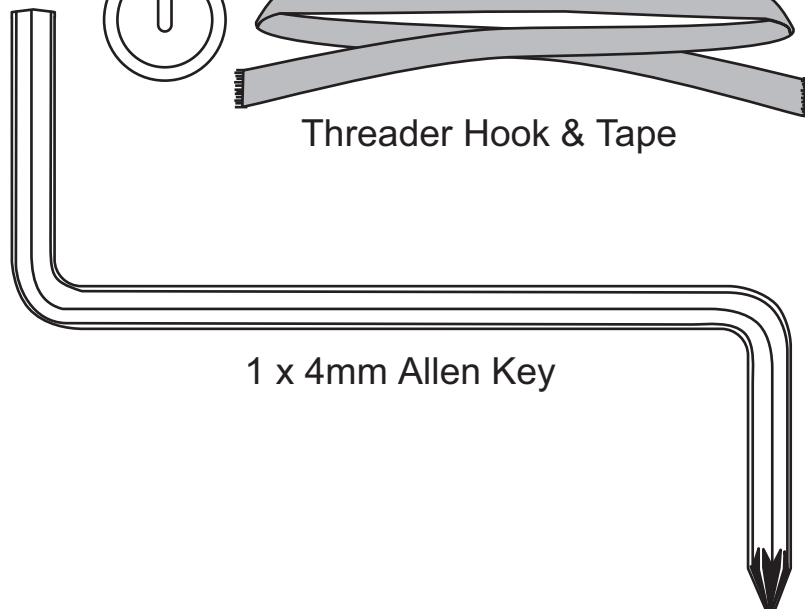
4 x Metal Washer



x 4

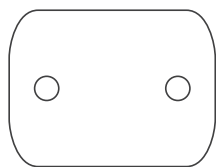


Threader Hook & Tape

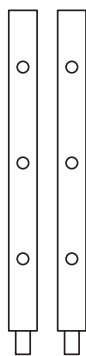


1 x 4mm Allen Key

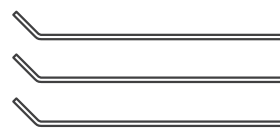
Traditional Double Drive Spinning Wheel - Parts List



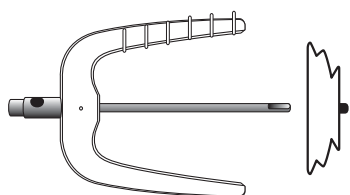
Lazy Kate Base



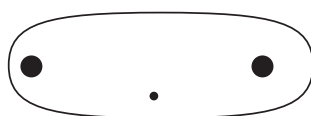
Lazy Kate Uprights



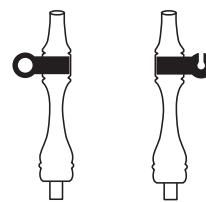
Lazy Kate Wires



Flyer & Whorl



Maiden Bar



Maid Uprights



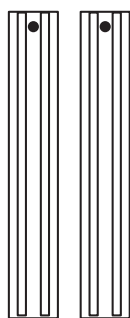
Adjusting Knob



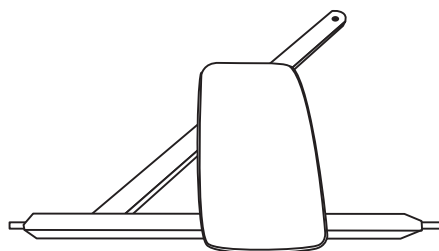
Tension Knob



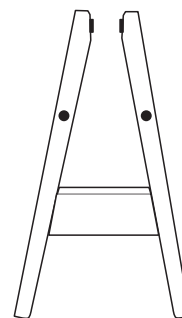
Single Leg



Side Rails



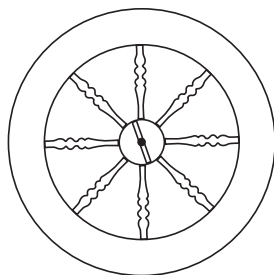
Treadle Assembly



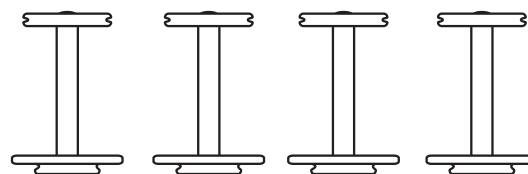
Wheel Support



Conrod



Wheel



Bobbins