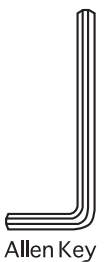
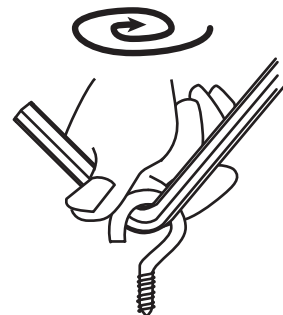
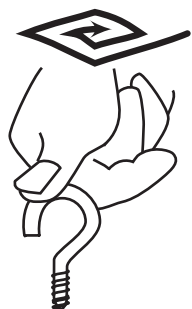
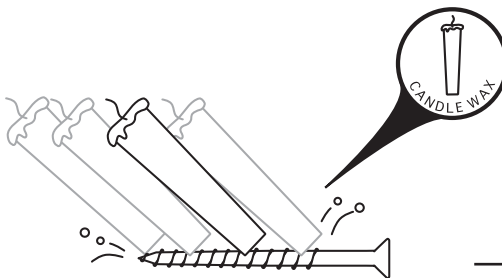
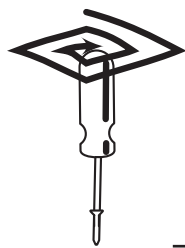
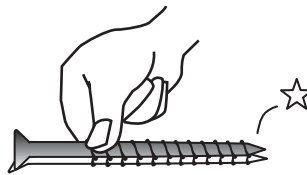
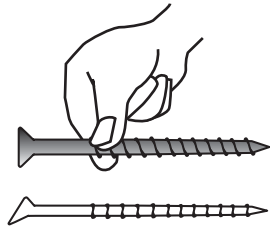
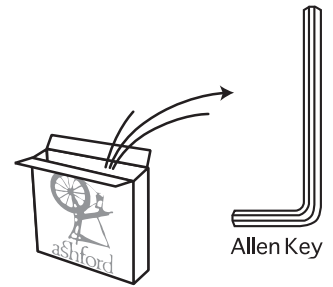
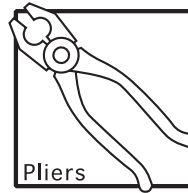
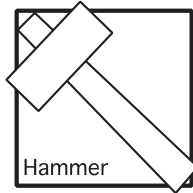
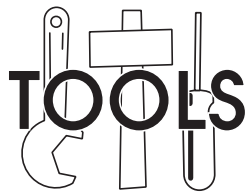
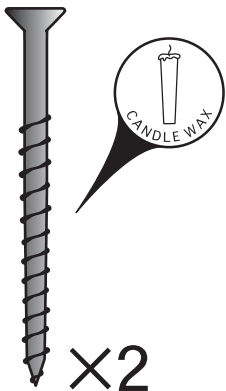
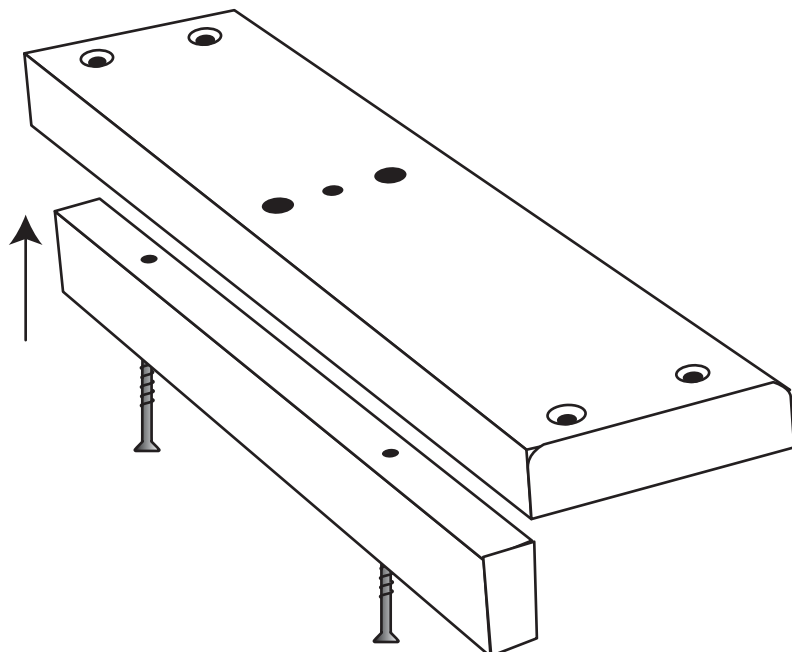
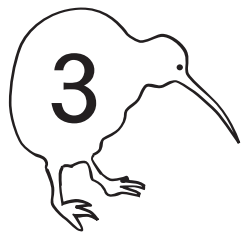
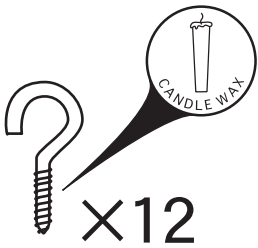
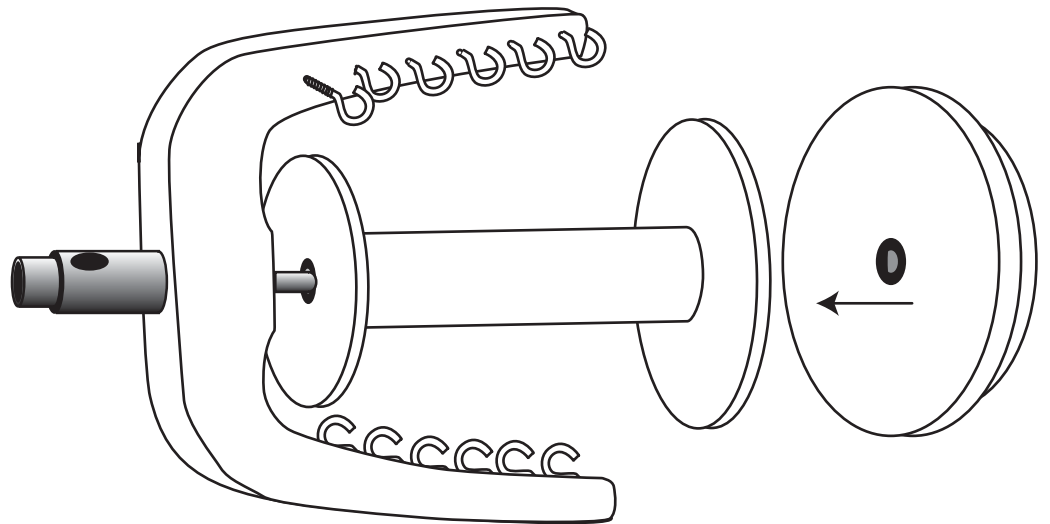
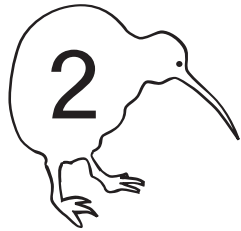
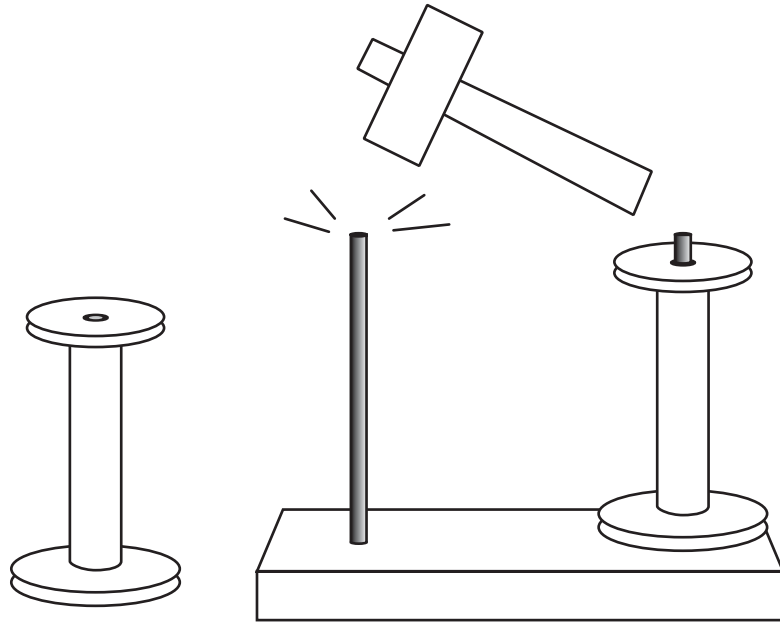
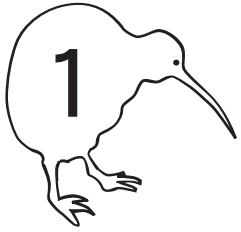
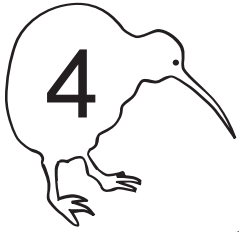


The kiwi Spinning Wheel Assembly Instructions



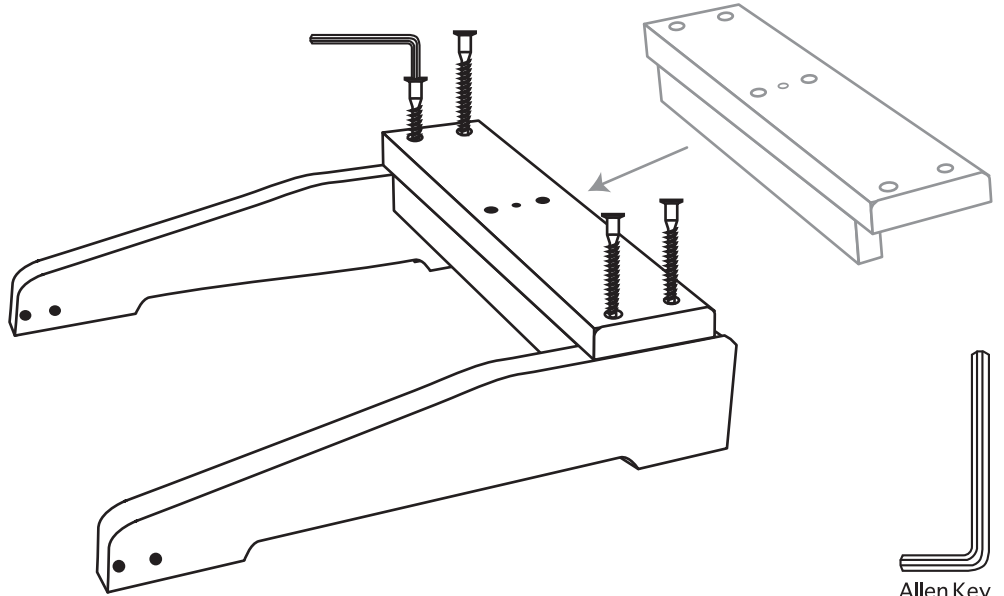




4



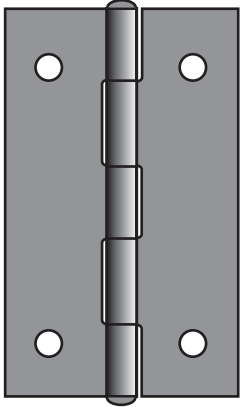
X4



Allen Key

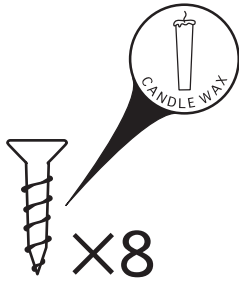
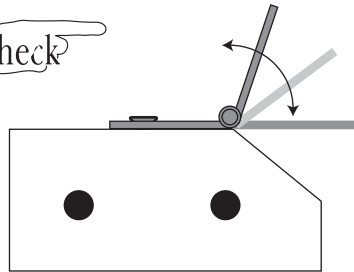


5

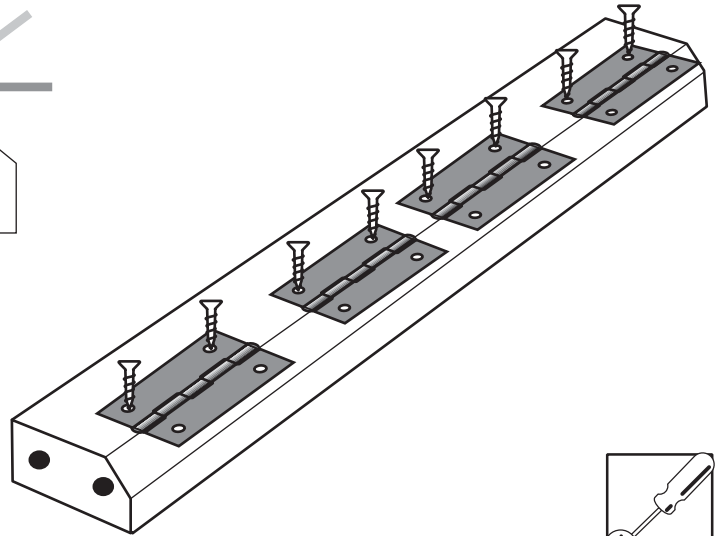


X4

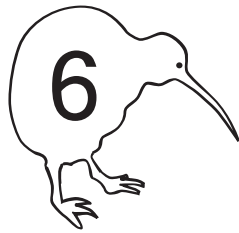
!Check



X8



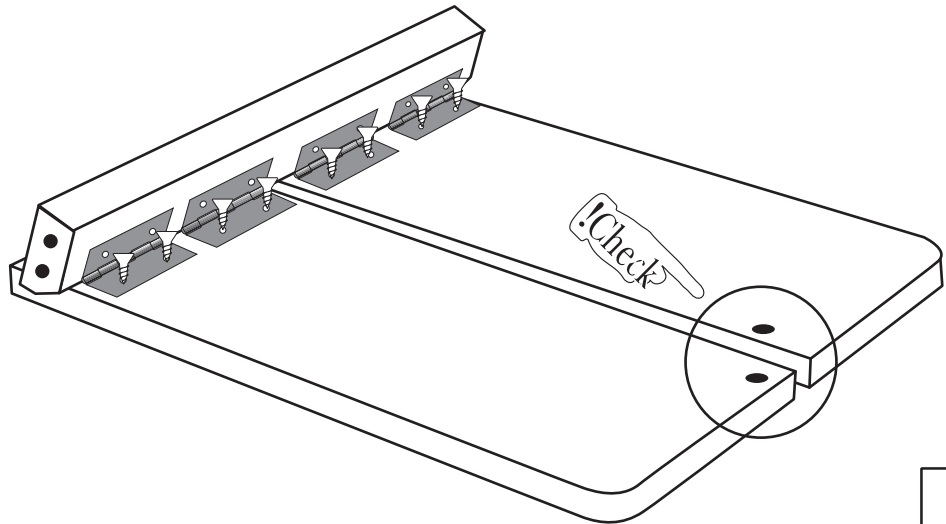
Screwdriver



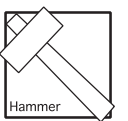
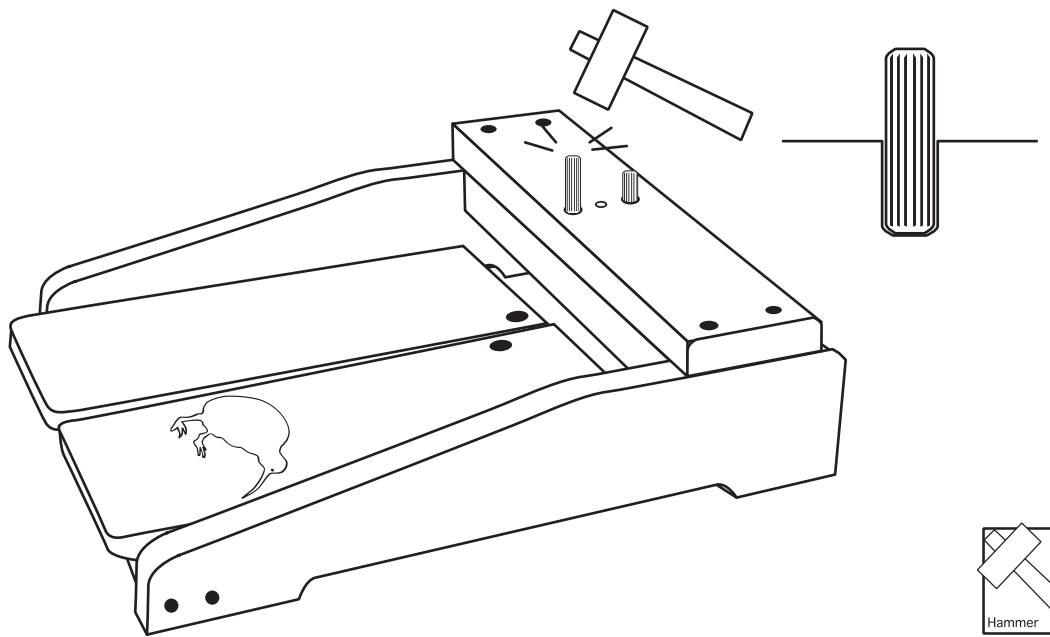
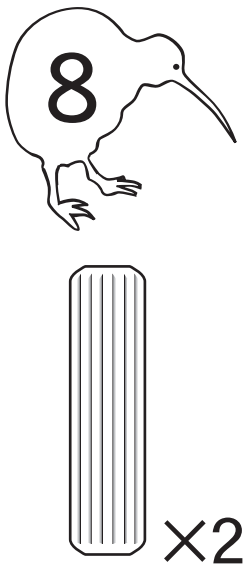
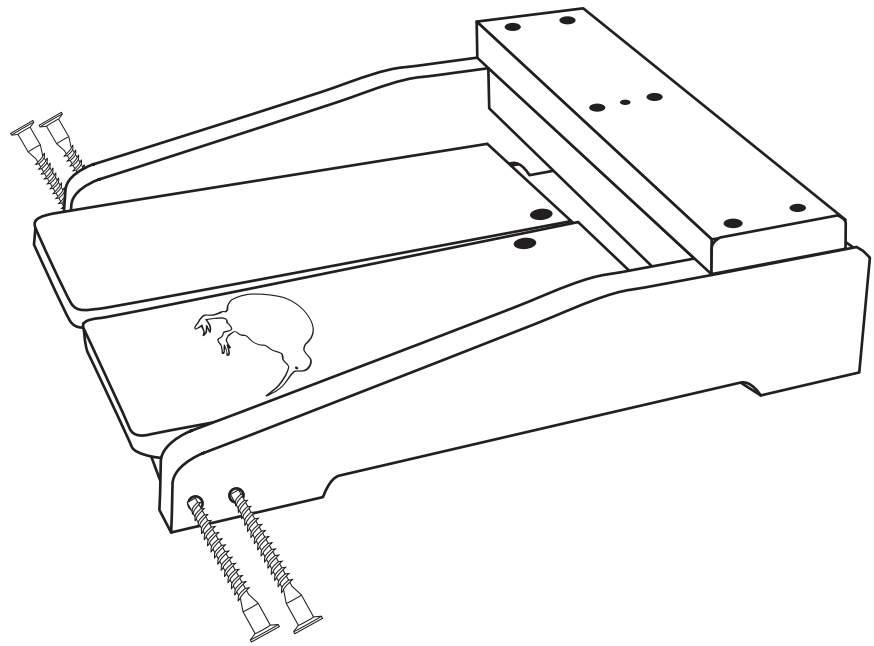
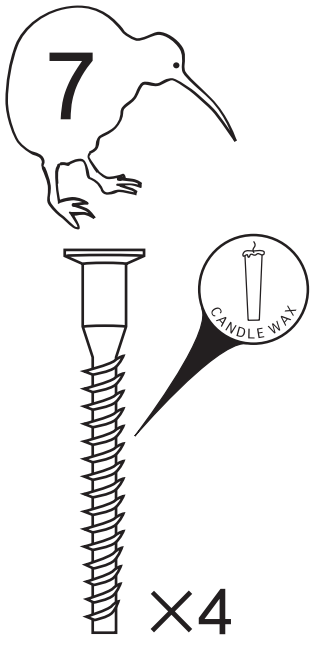
6

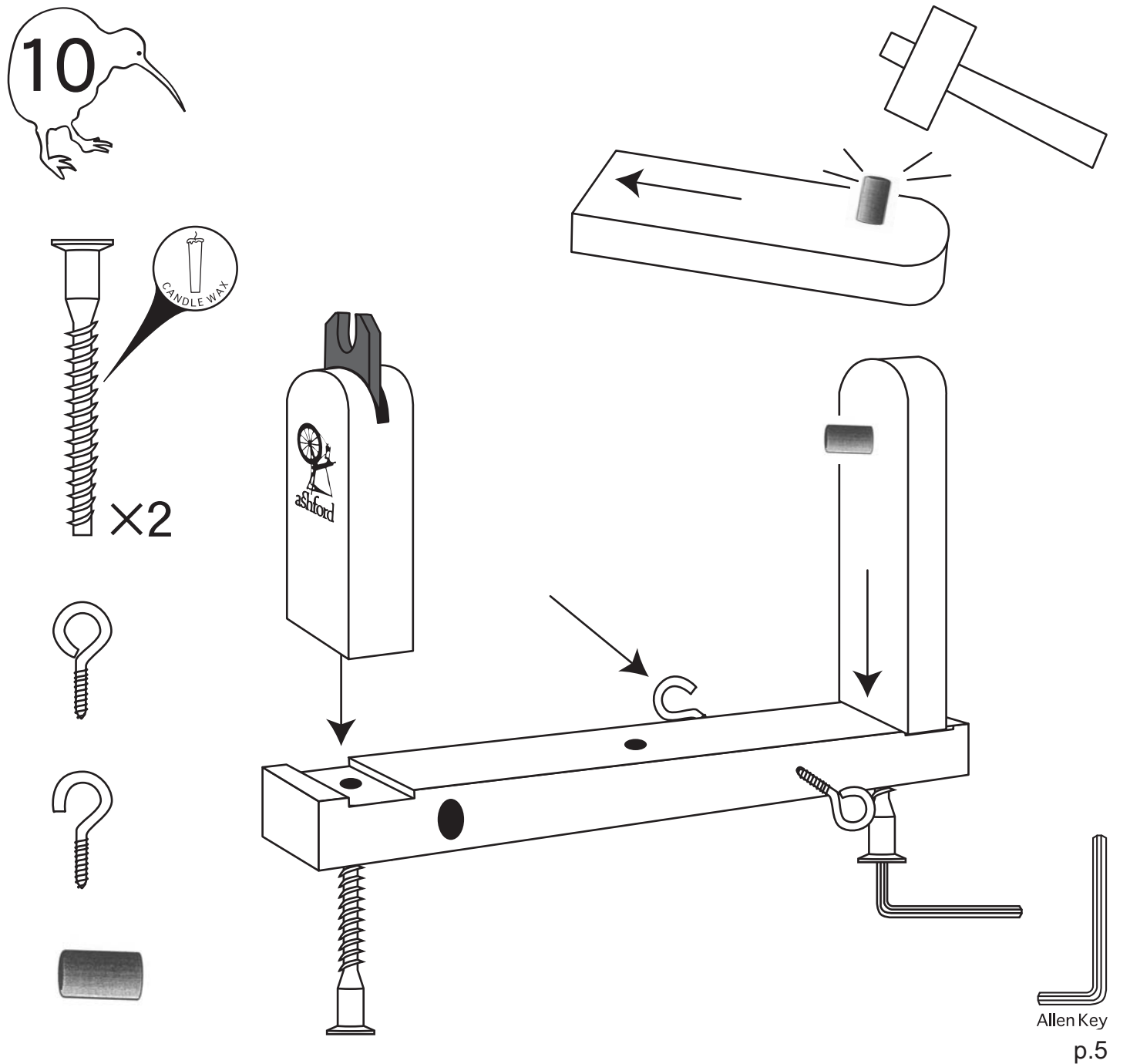
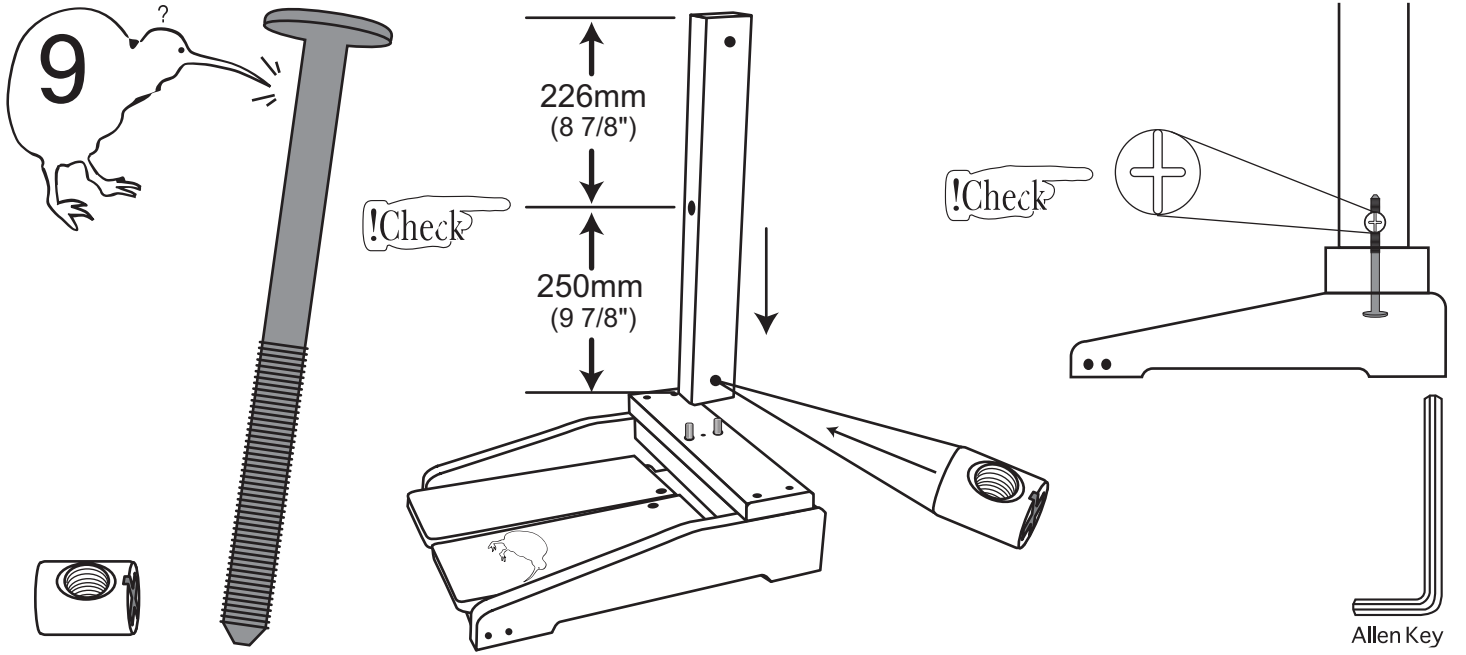


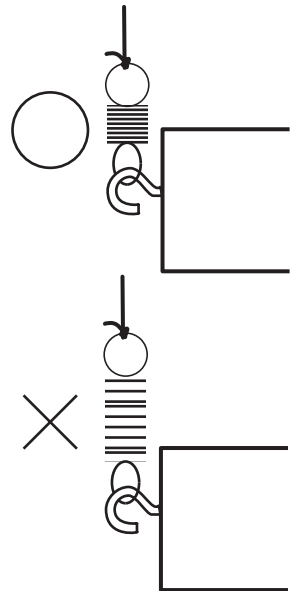
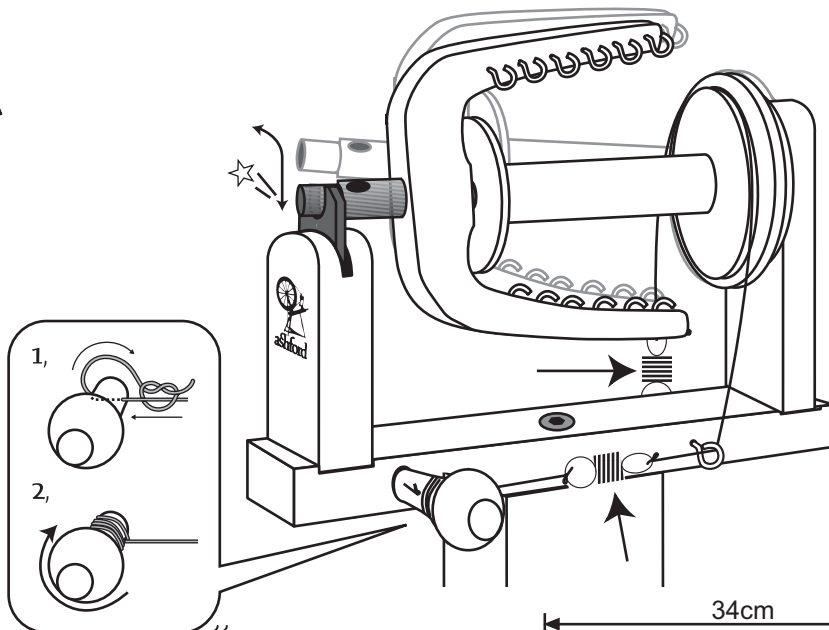
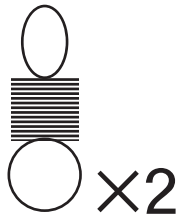
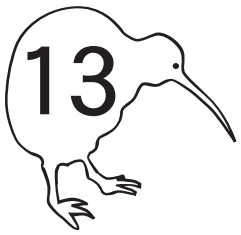
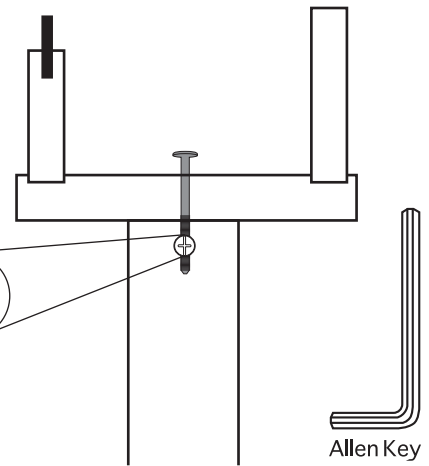
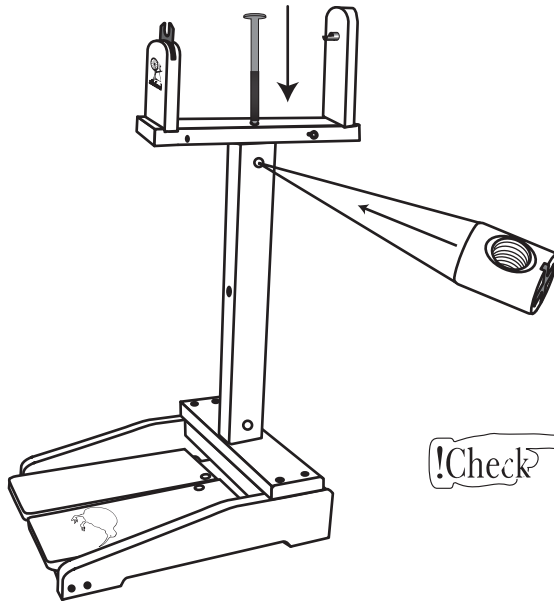
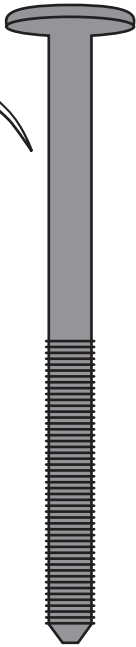
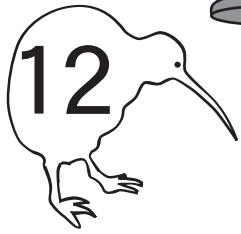
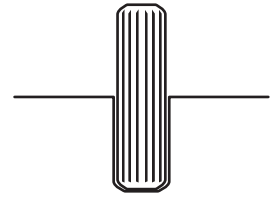
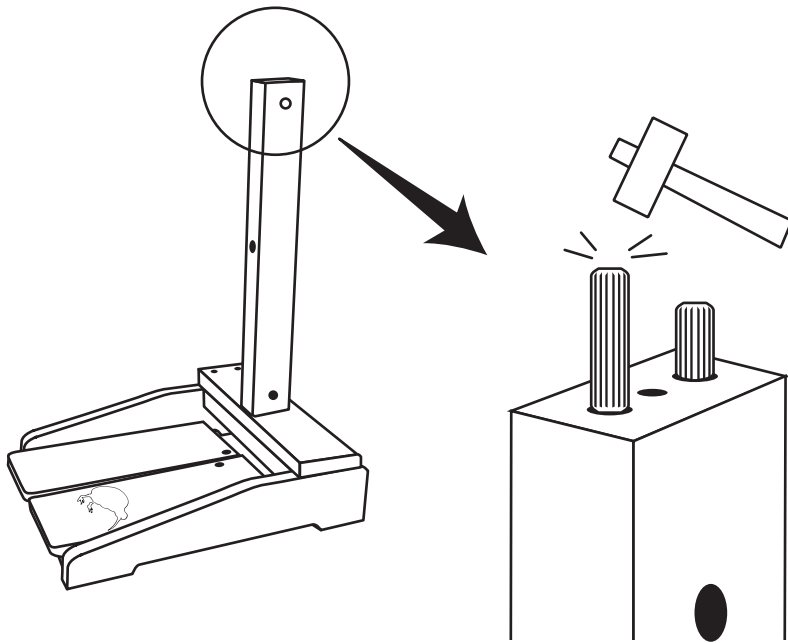
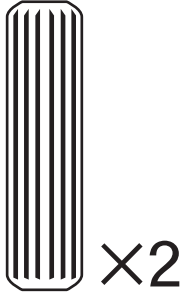
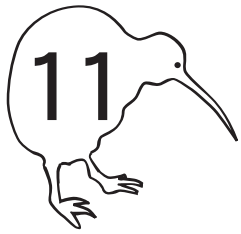
X8

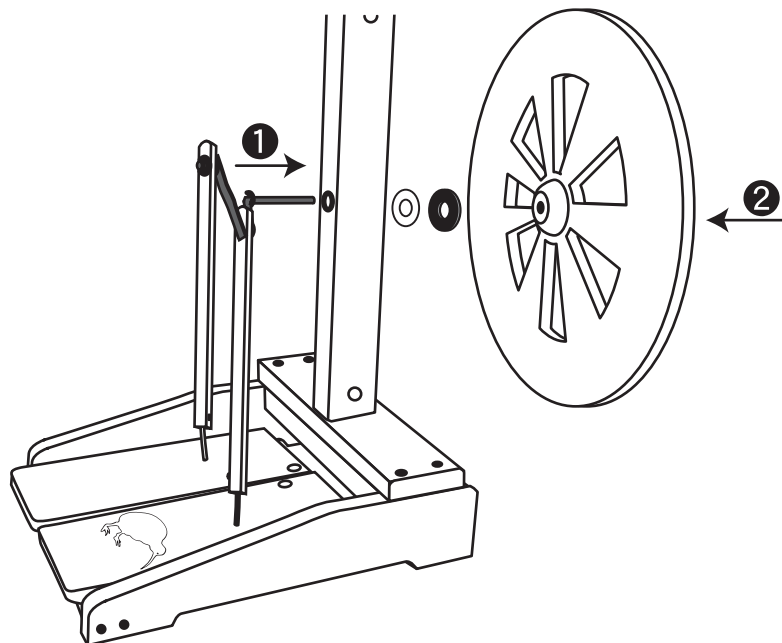
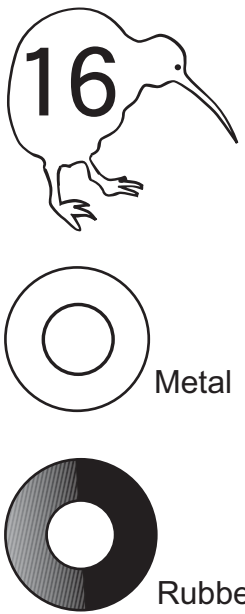
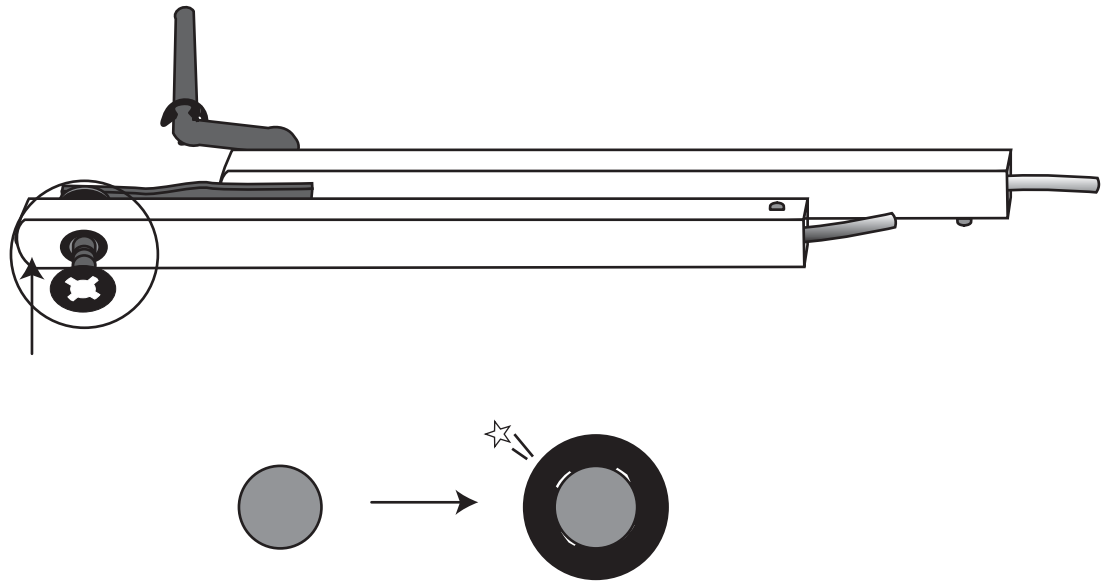
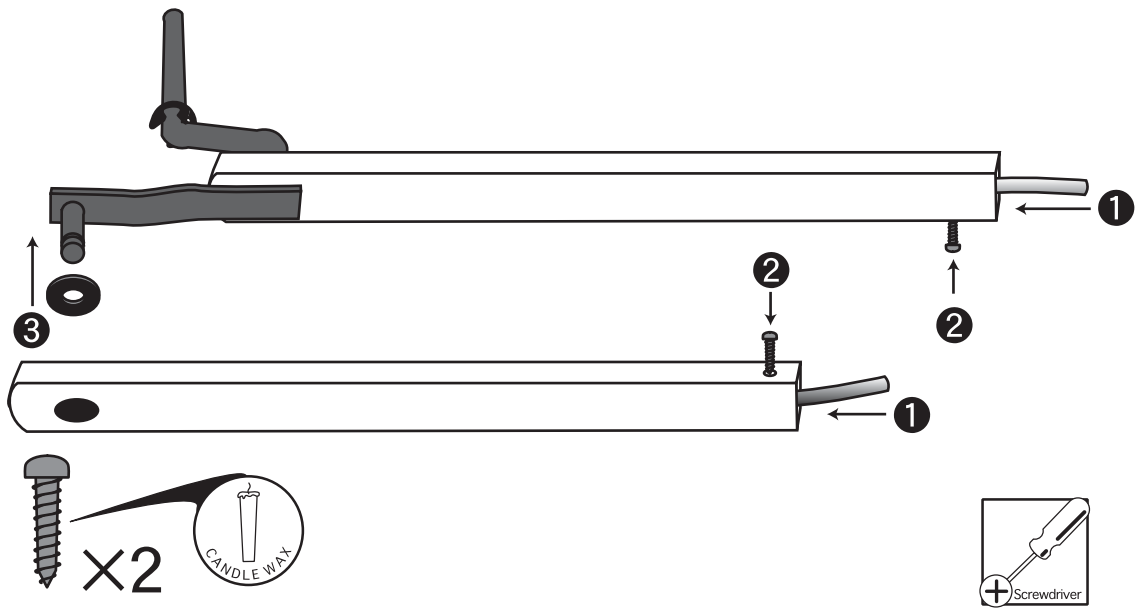
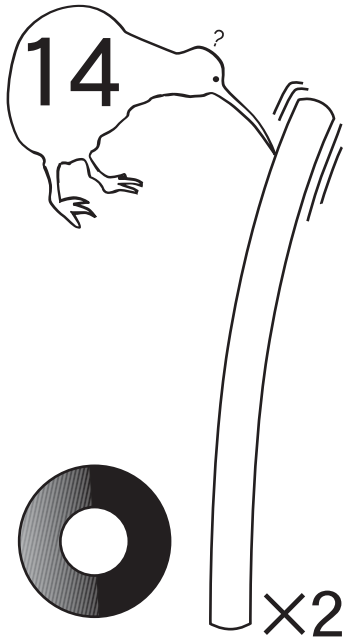


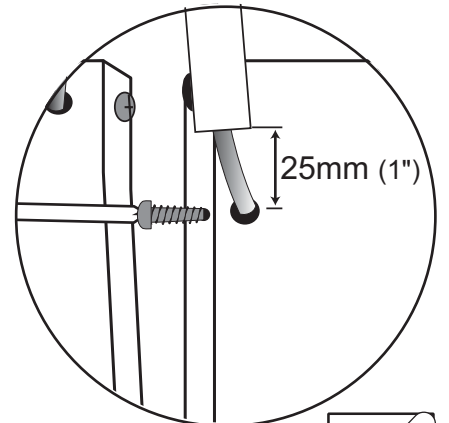
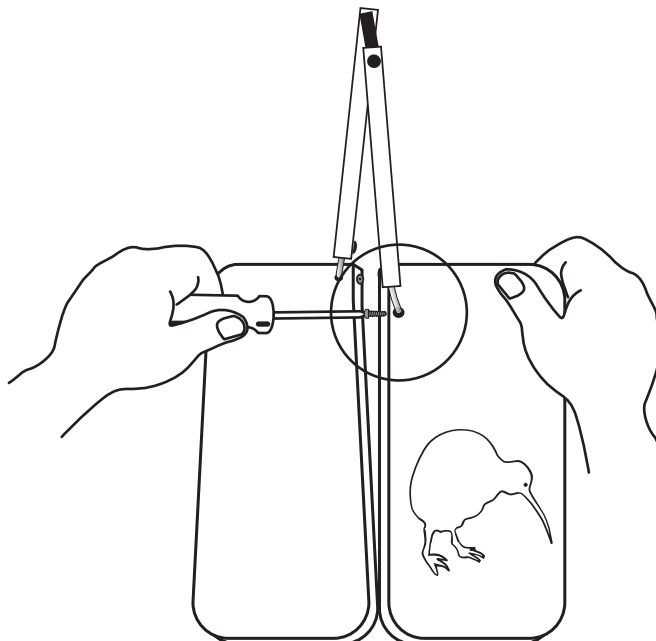
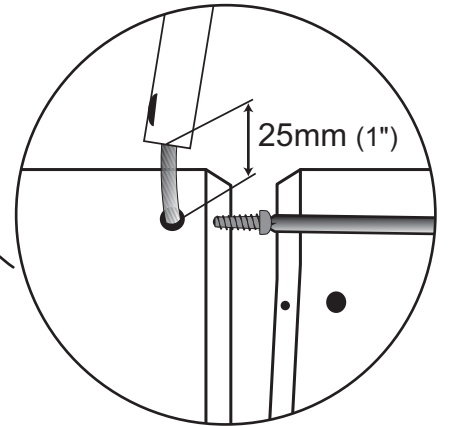
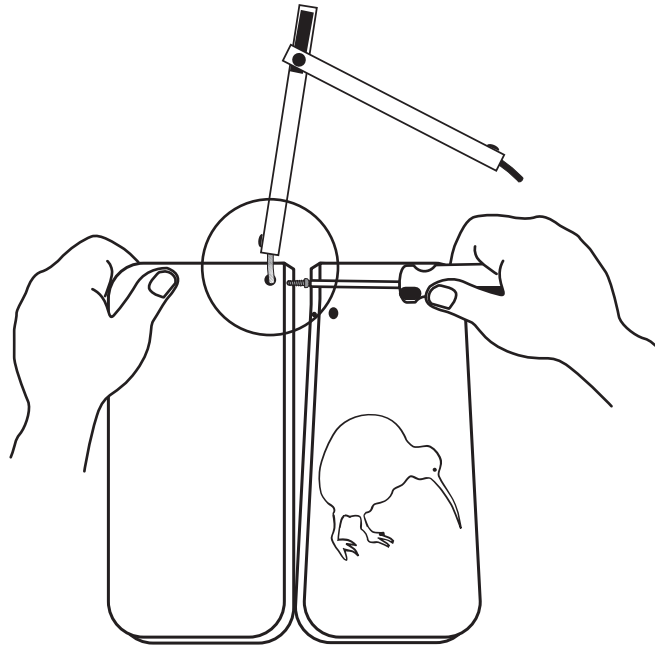
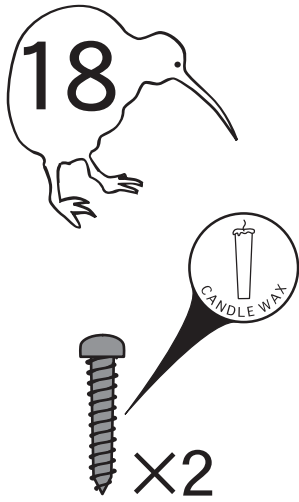
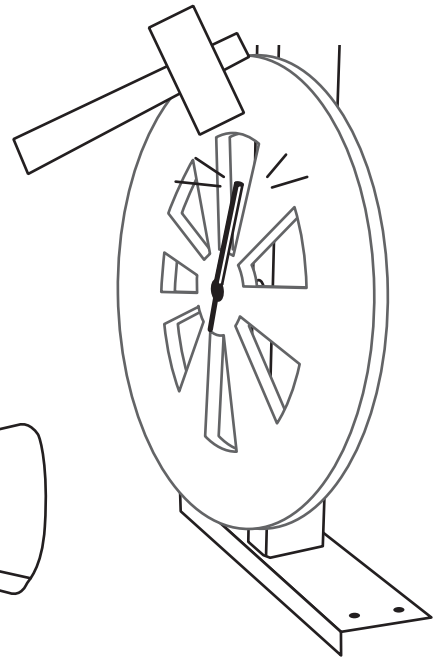
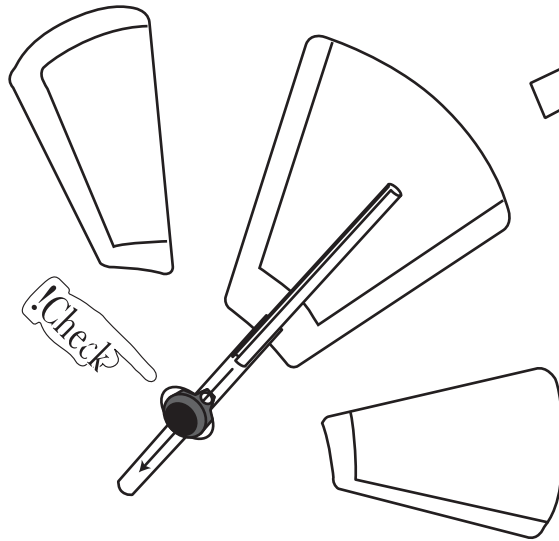
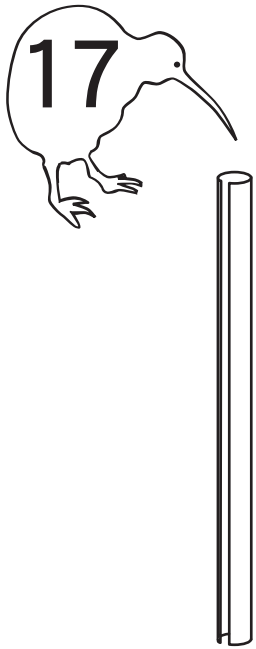
Screwdriver

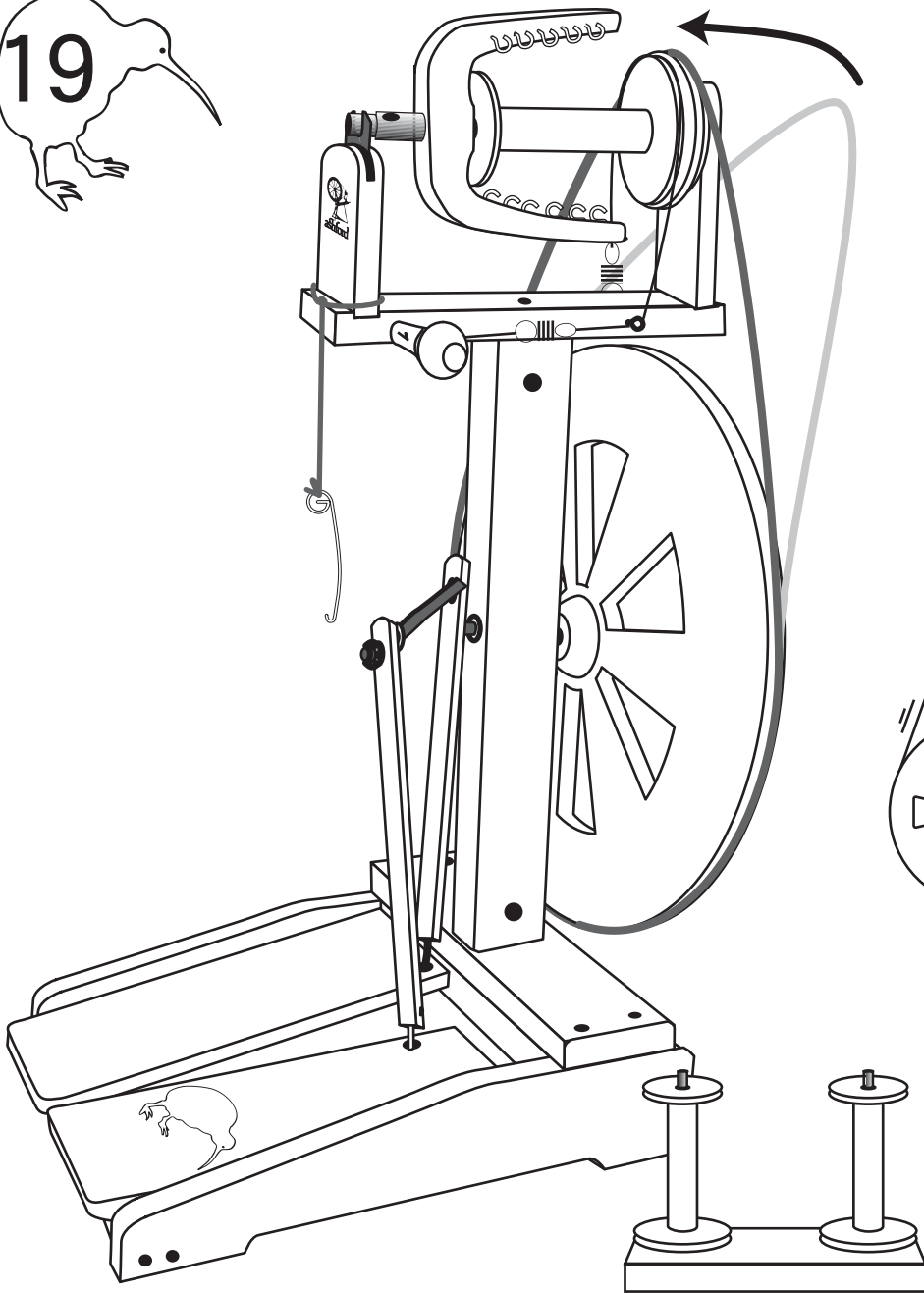
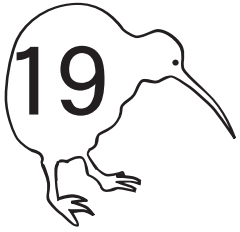




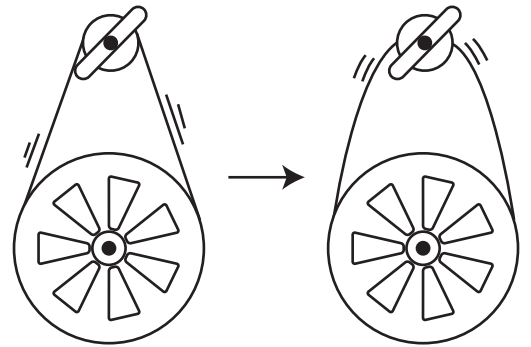




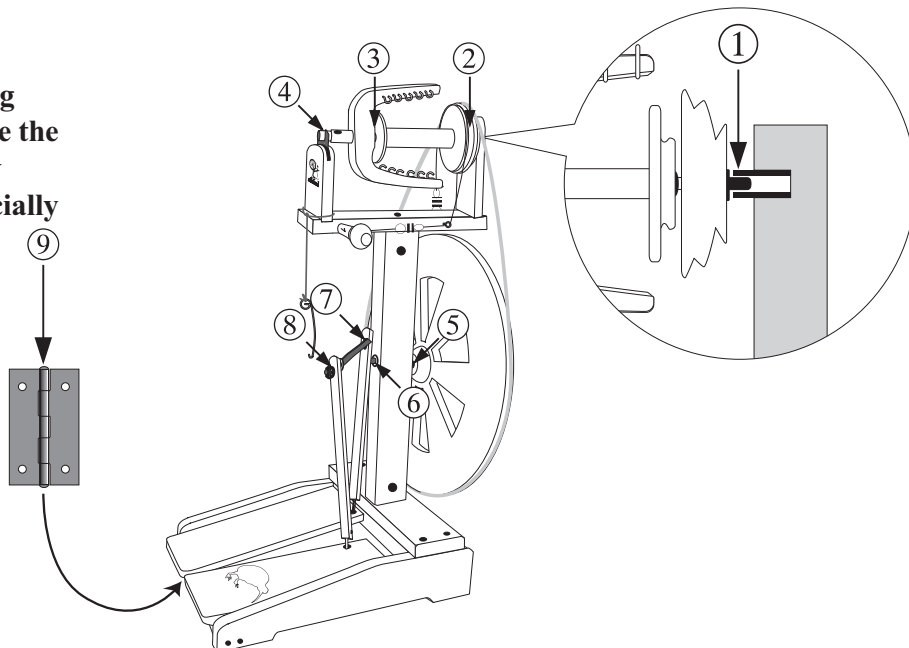




Remove drive belt when not spinning.



Dear Spinner
Use Ashford Spinning Wheel Oil to lubricate the bearings of your new spinning wheel, especially the end of the whorl.





High Speed Adapter Kit

With this kit the Kiwi can spin finer, high twist yarns. Kit contains a high speed whorl and polycord driver belt.
Ratios - 11 and 14 : 1



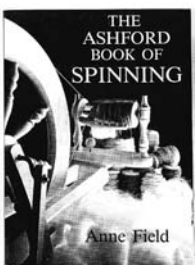
Jumbo Flyer Kit

With this kit the Kiwi can also spin soft, bulky or novelty yarns for knitting and weaving. Kit contains a jumbo flyer and whorl, three jumbo bobbins, and a jumbo bearing. Bobbin capacity 225gms (8oz).
Ratios - 4 and 5 : 1



Skeiner and Stand

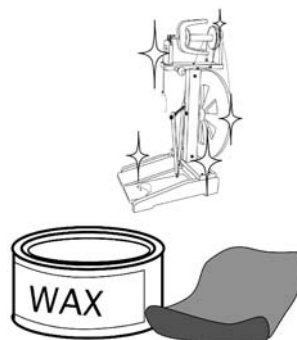
Wind skeins directly from your bobbin with this ultra convenient skeiner. Mount directly to your Kiwi or onto the sturdy base, included in the kit, for use with any spinning wheel.
Skeiner length 1.5m (60")



Book of spinning



Hand Carder



Wax Kit



Niddy Noddy



Ashford Handicrafts Ltd

PO Box 474 Ashburton New Zealand Ph (64-3) 308 9087 Fax (64-3) 308 8664

E-mail : sales@ashford.co.nz Home Page : <http://www.ashford.co.nz>

Real Scale Hardware Samples

