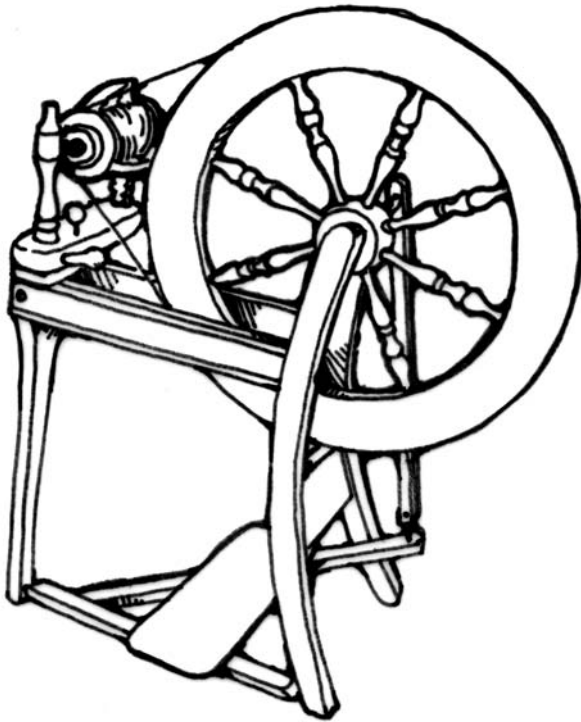
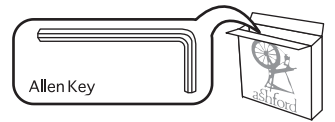
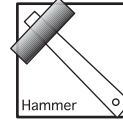


ASSEMBLY INSTRUCTIONS FOR THE ASHFORD TRADITIONAL SPINNING WHEEL

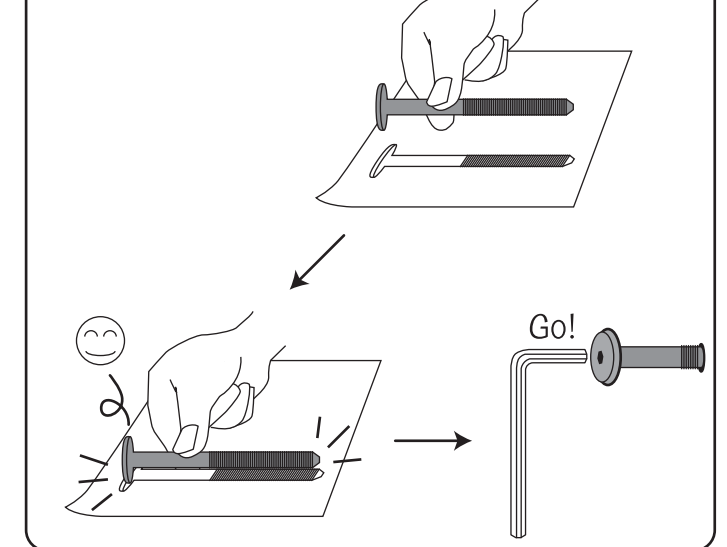
- Single Drive -



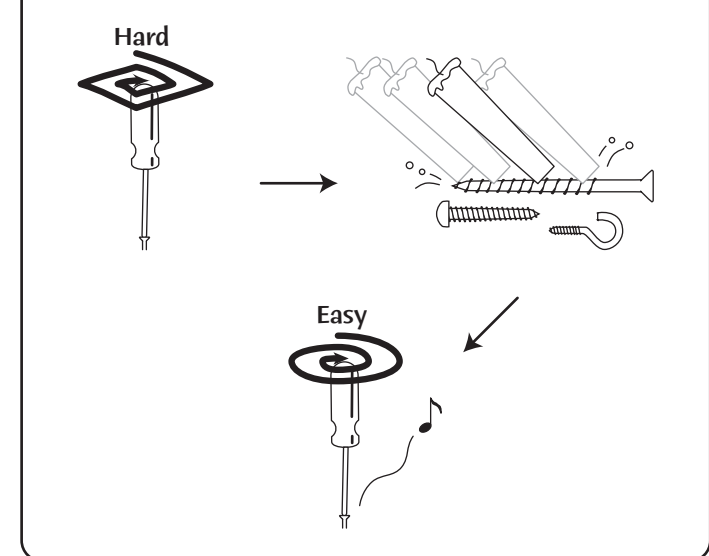
TOOLS



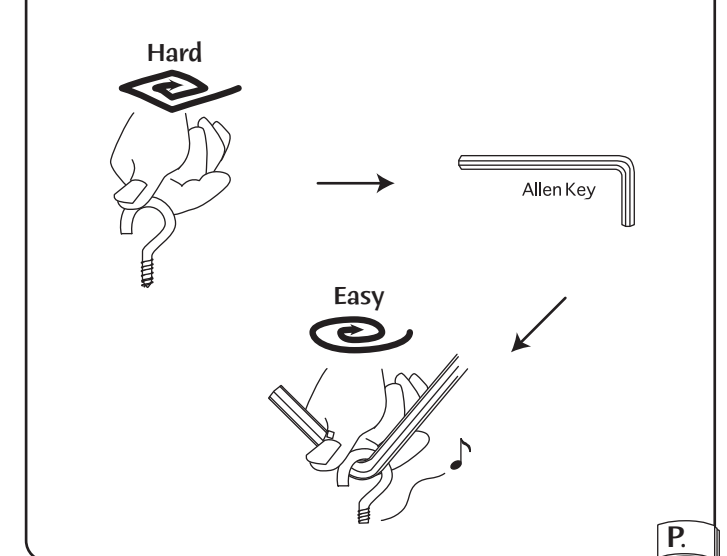
Hint 1

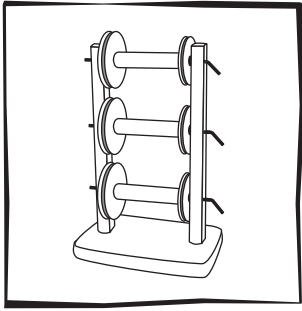


Hint 2

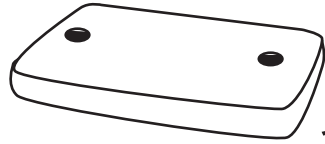
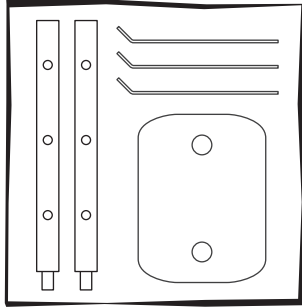


Hint 3

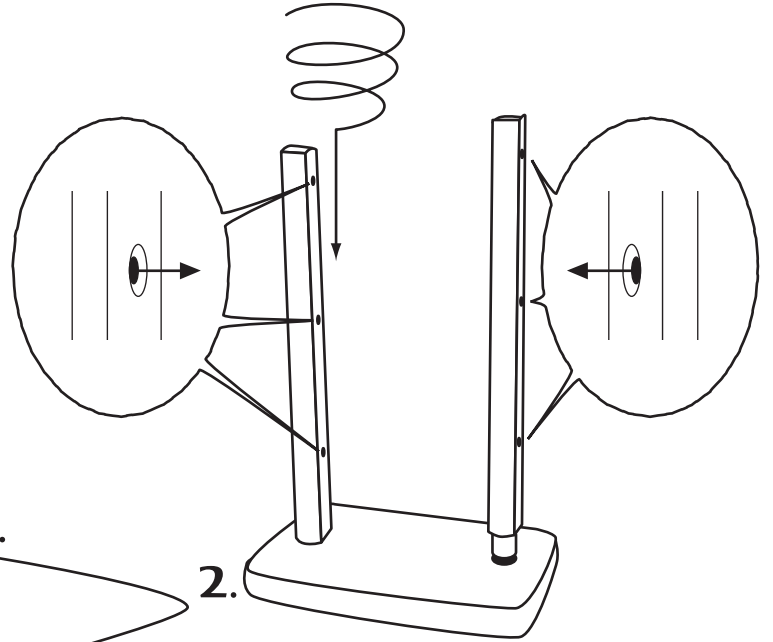




1

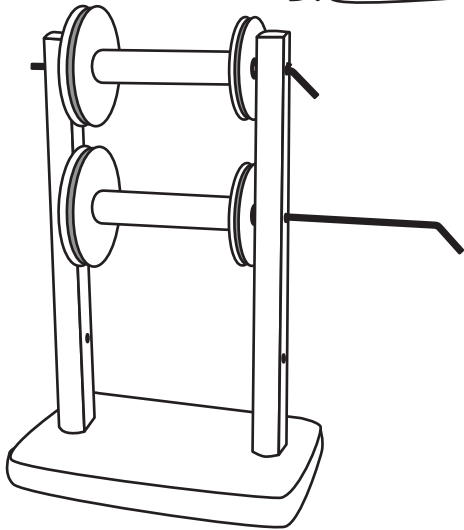


1.

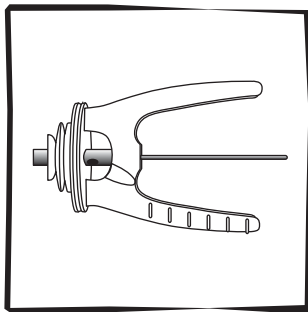
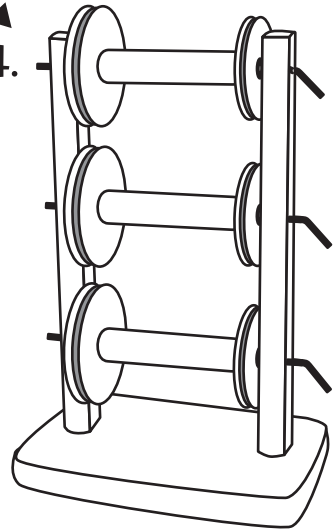


2.

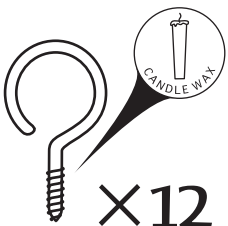
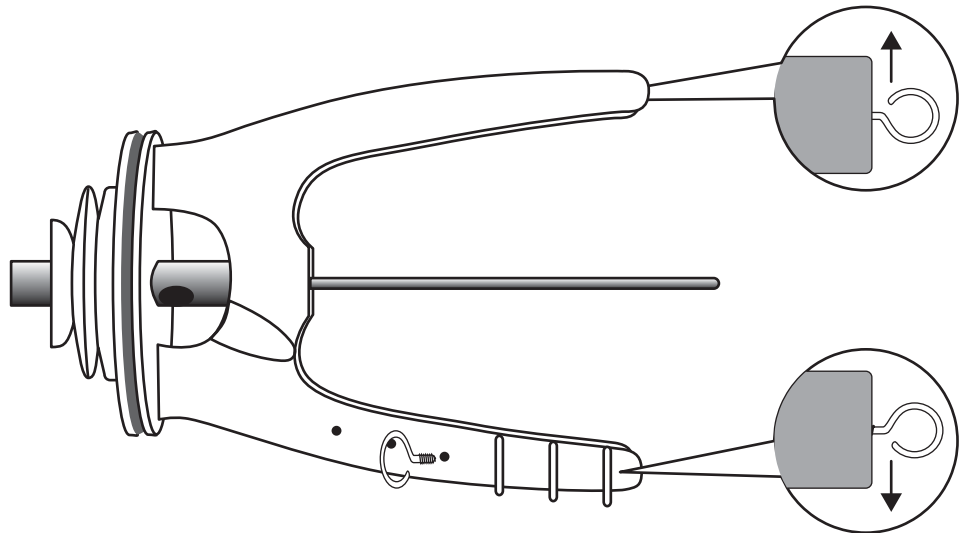
3.



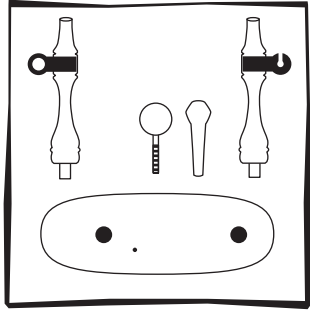
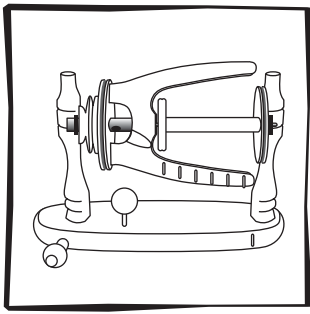
4.



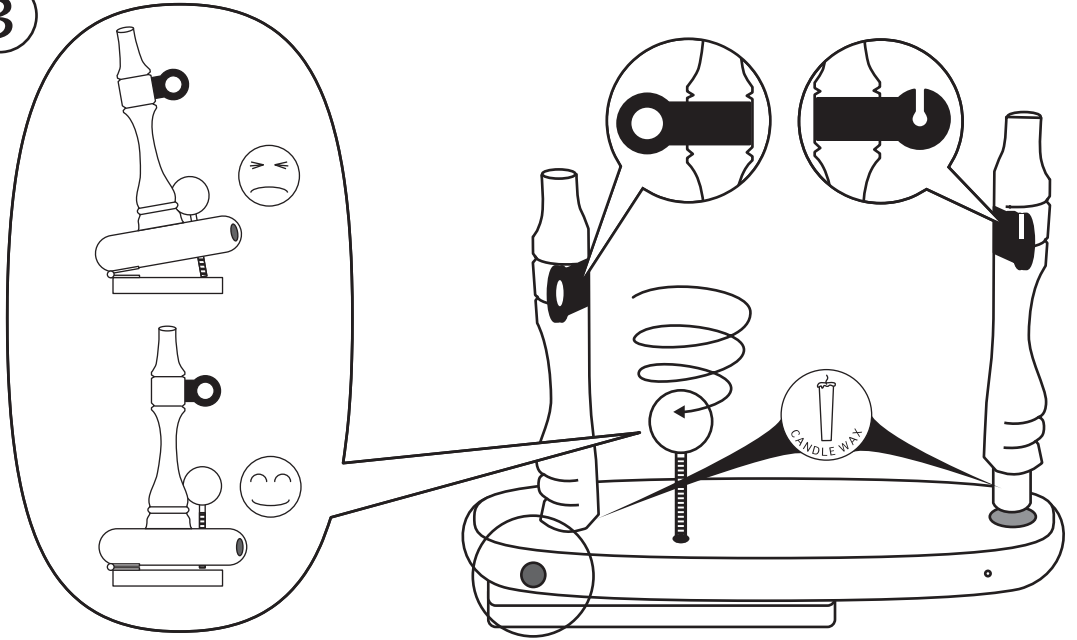
2



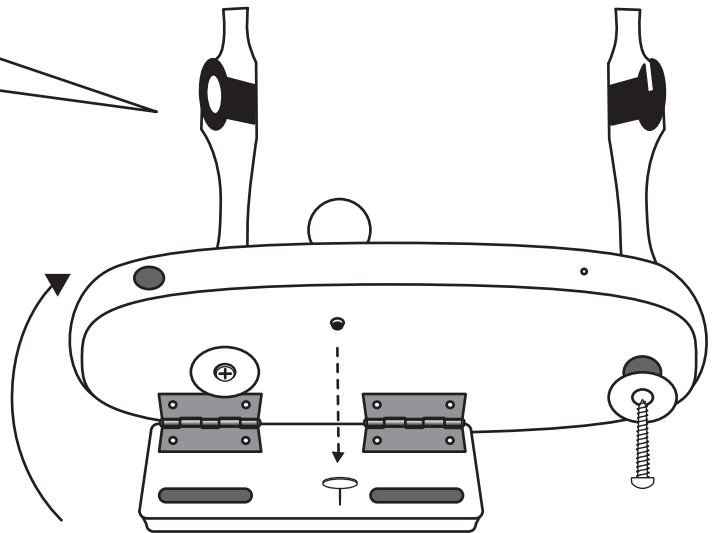
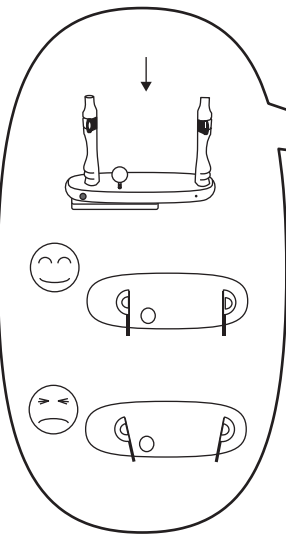
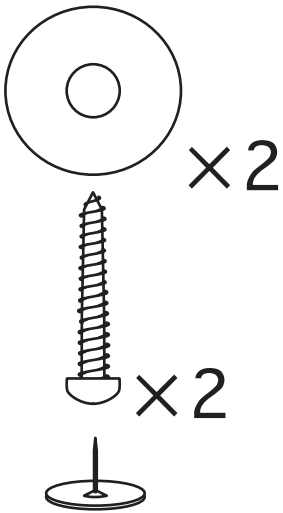
X12



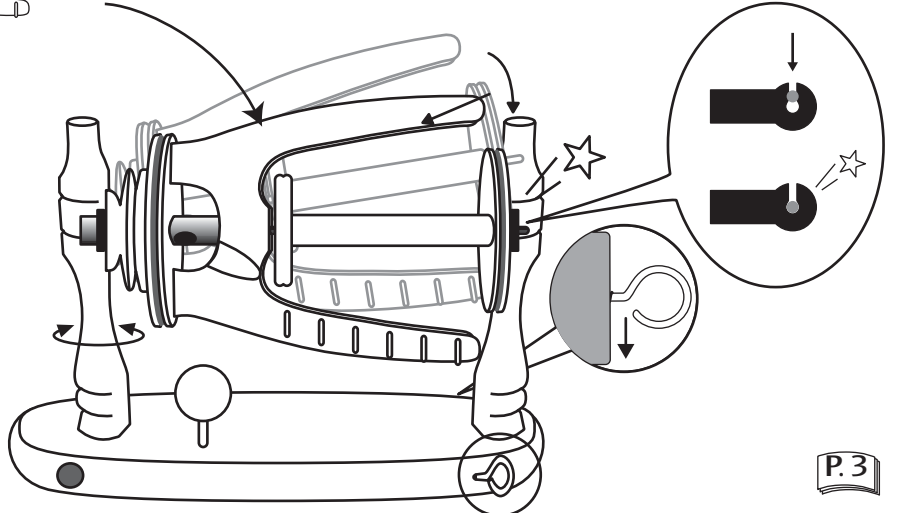
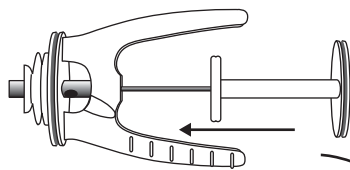
3

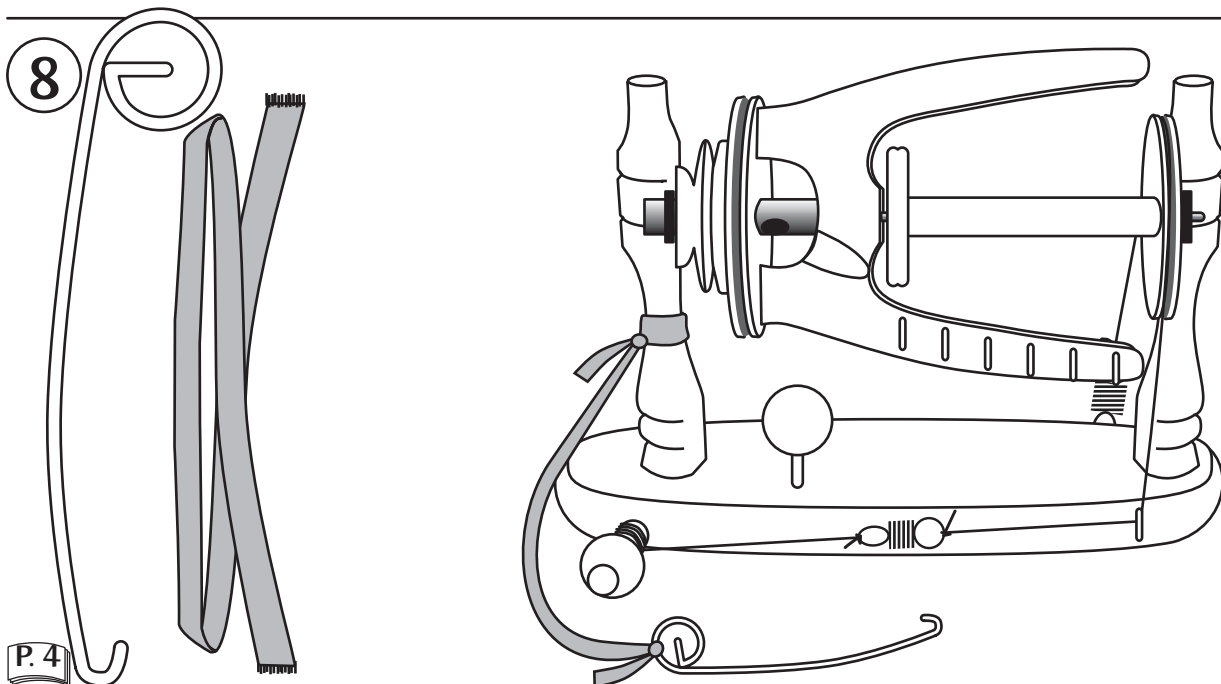
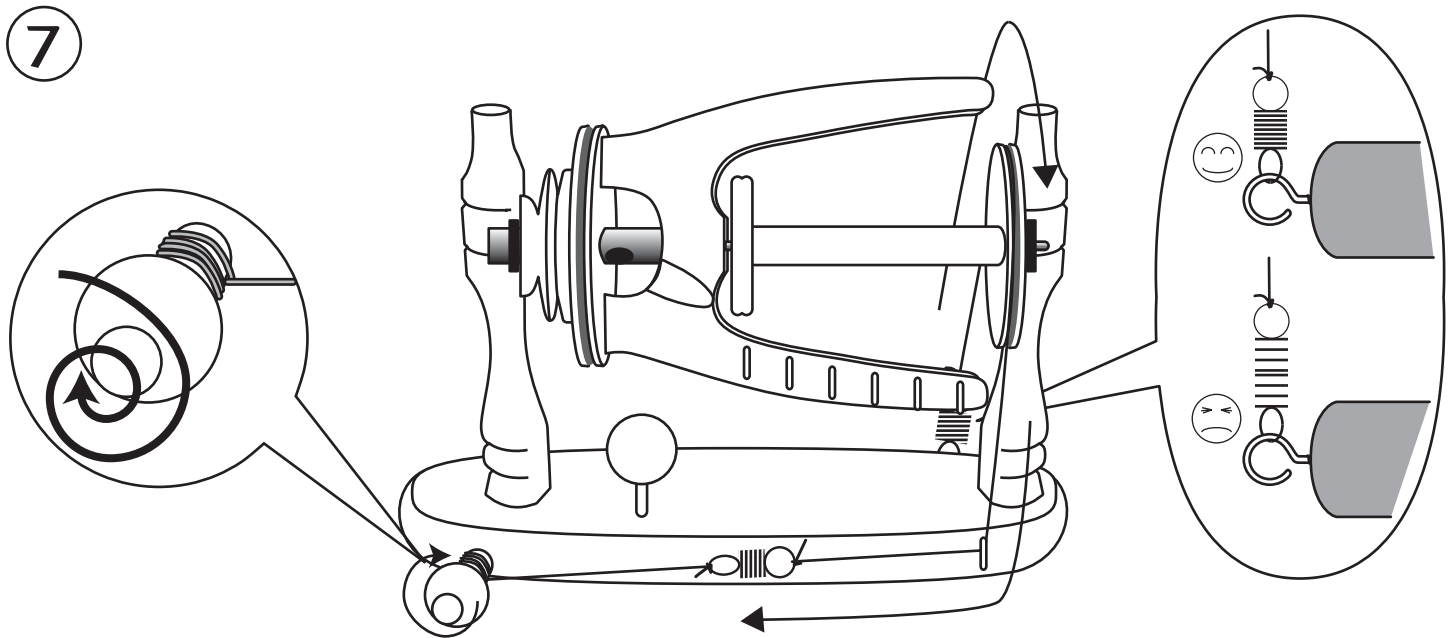
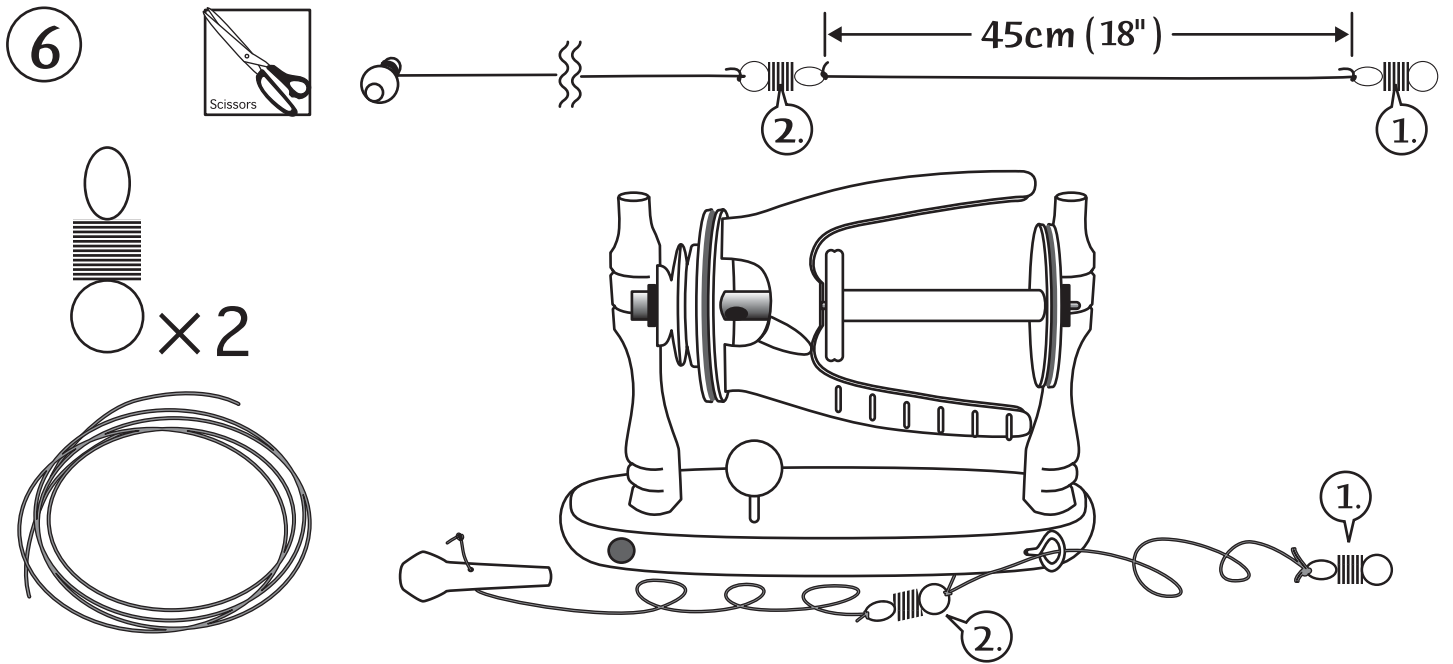


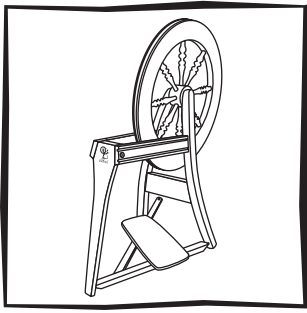
4



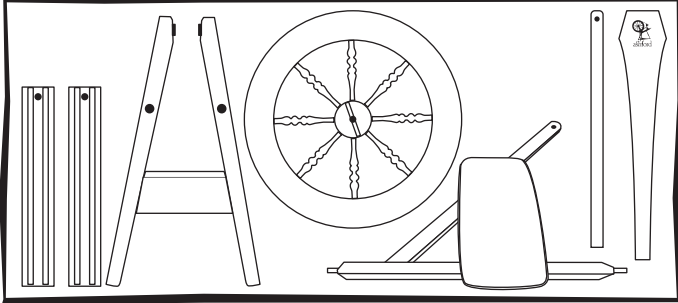
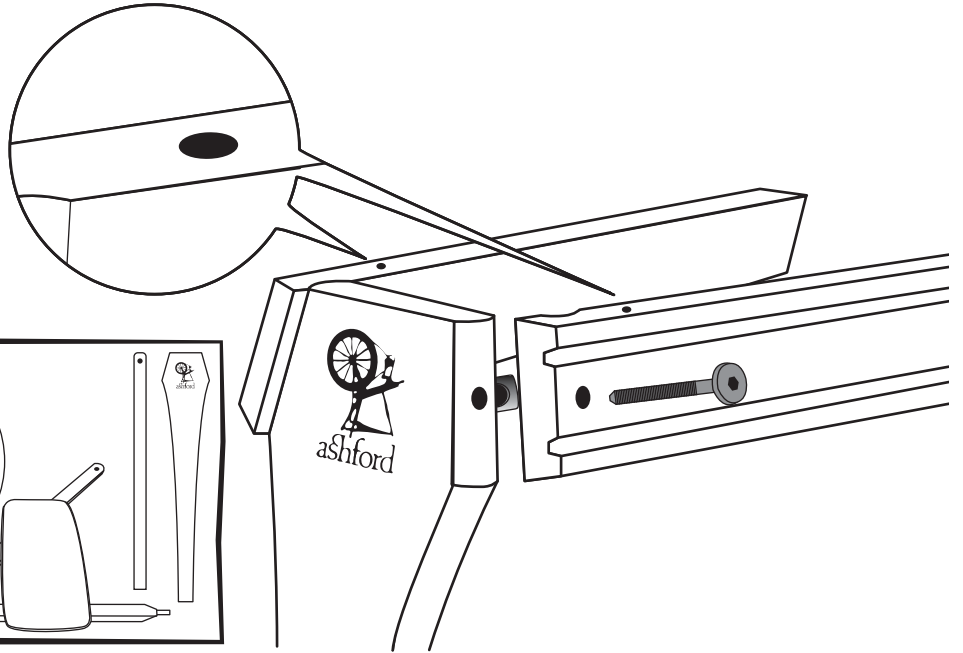
5







9



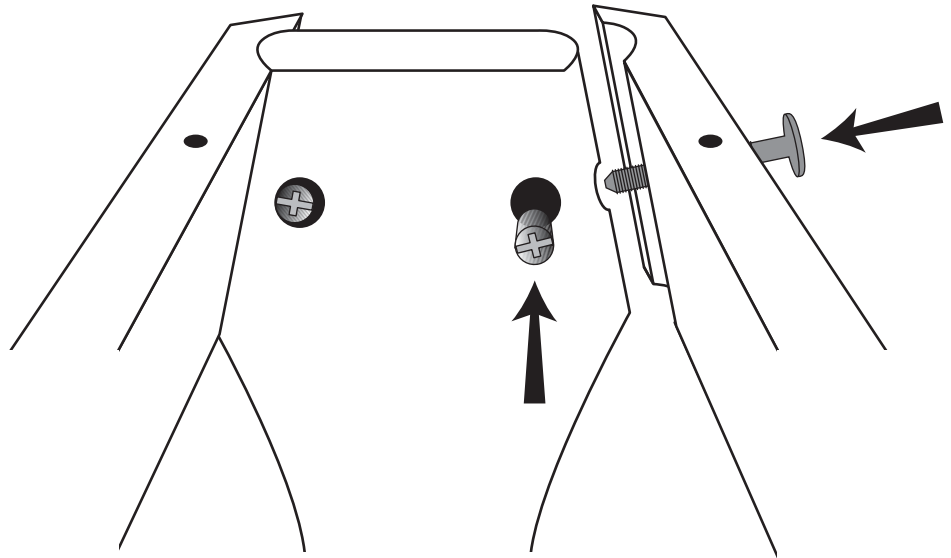
10 Allen Key



X2

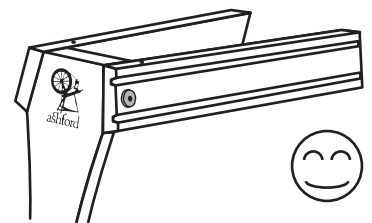
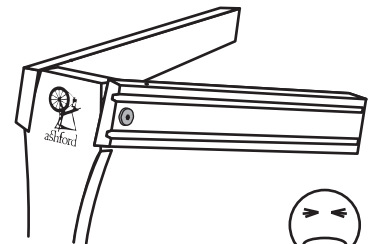
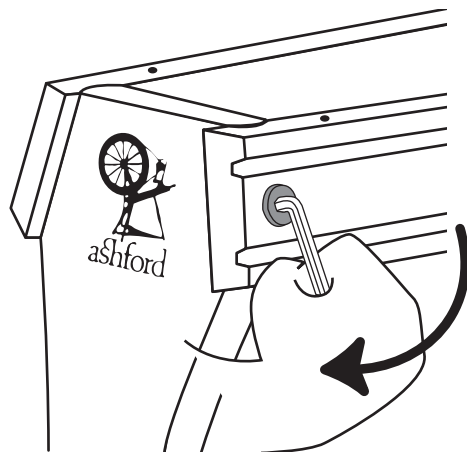


X2

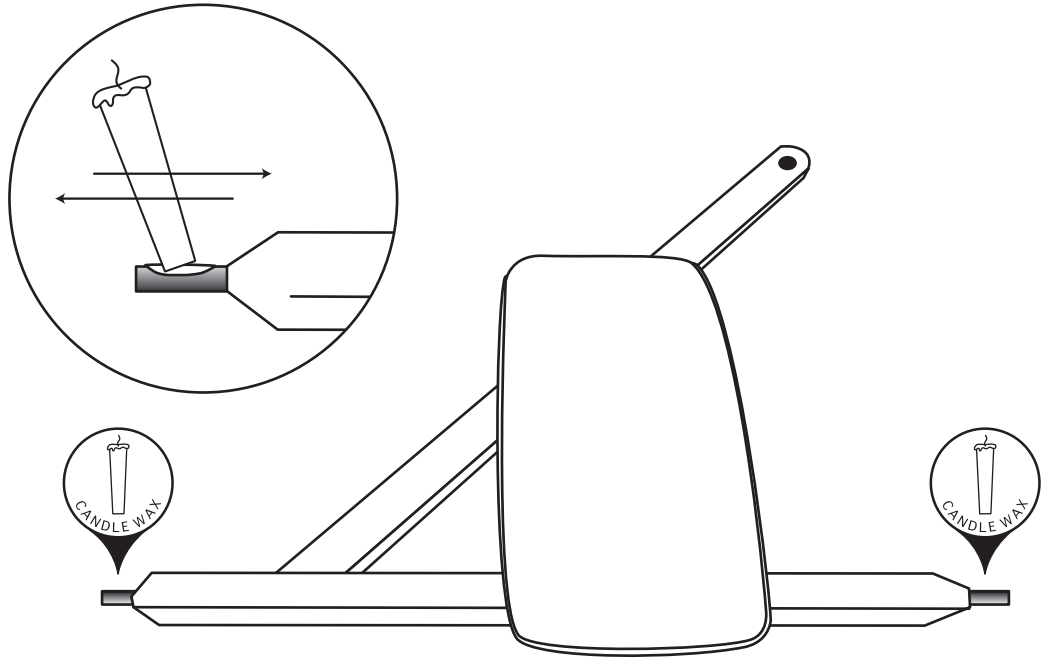


11

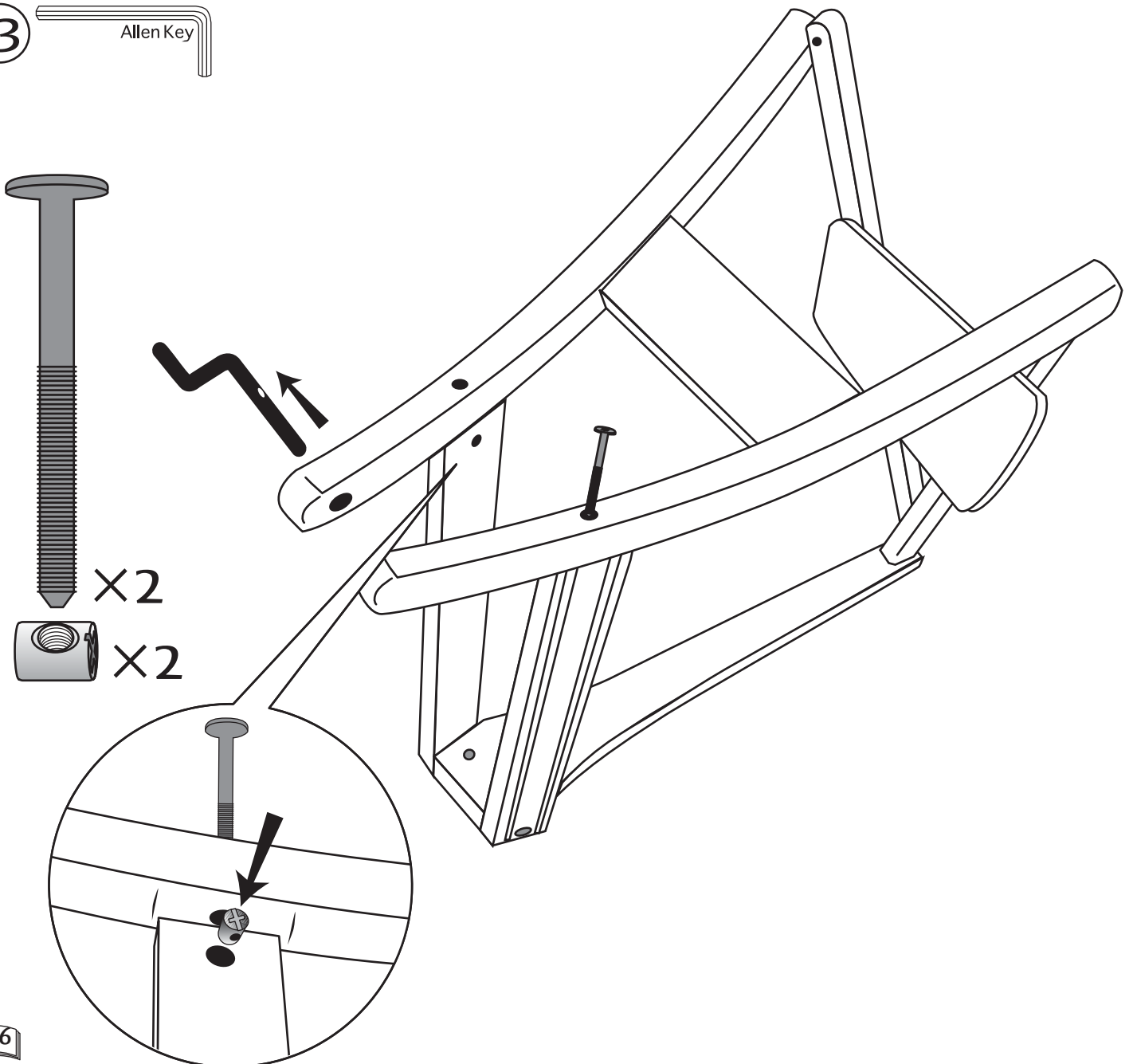
!Check



12

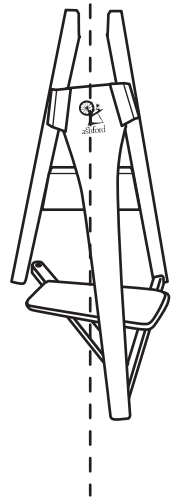
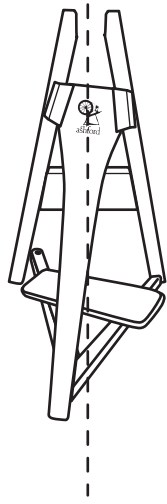


13



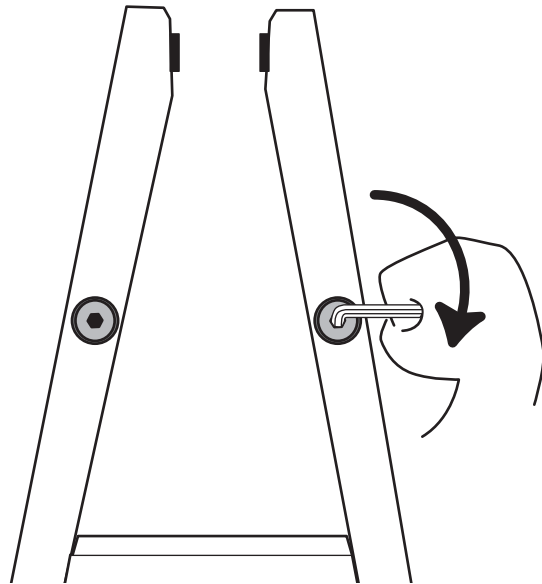
14

!Check

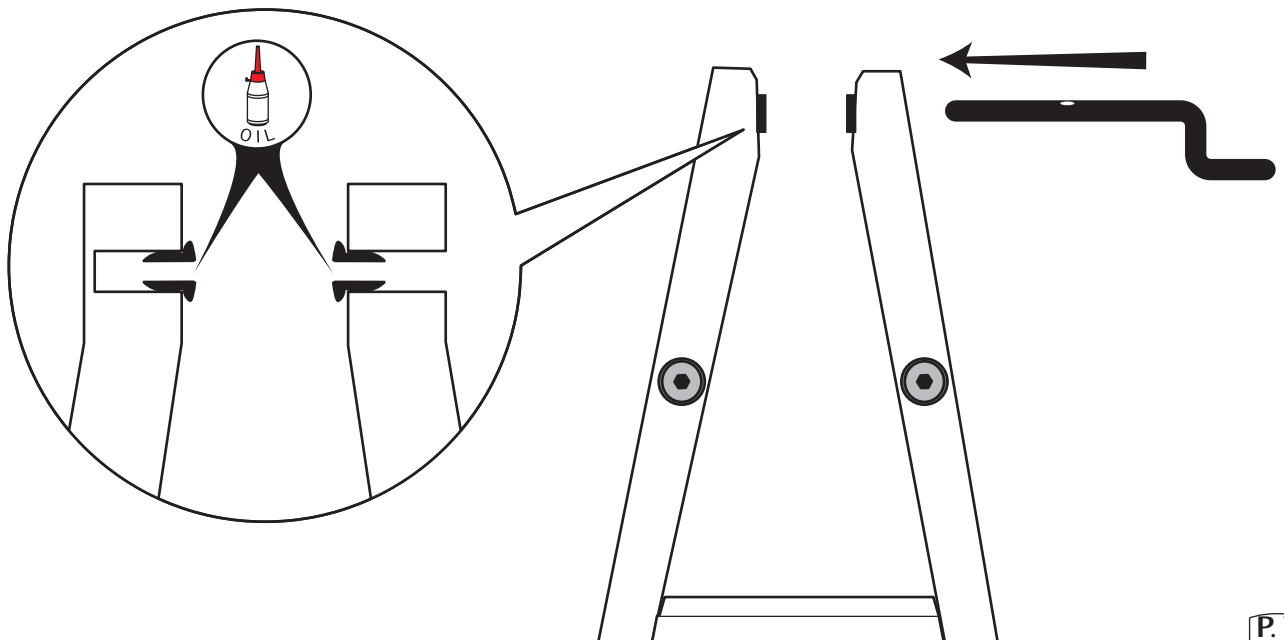


15

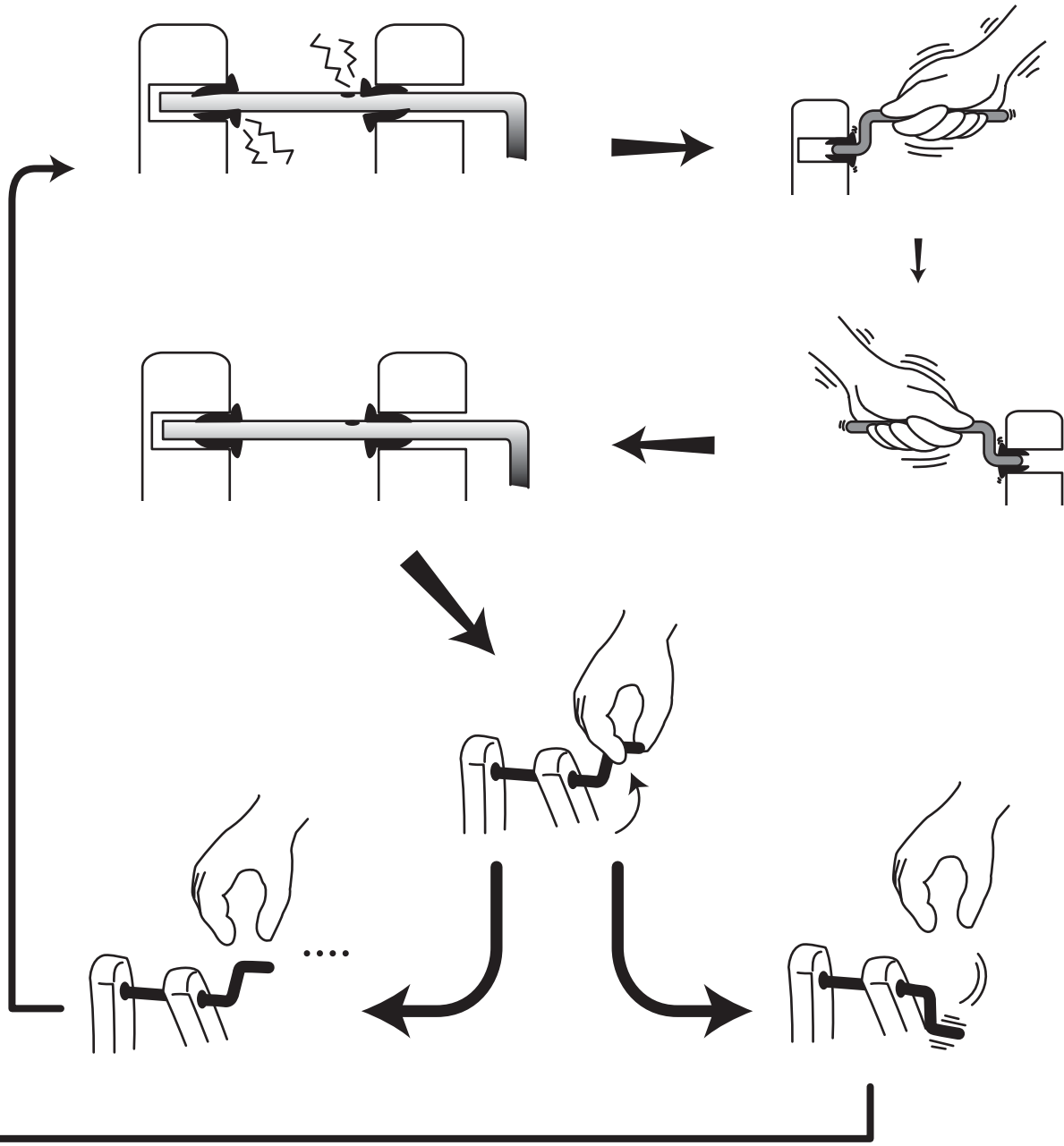
Allen Key



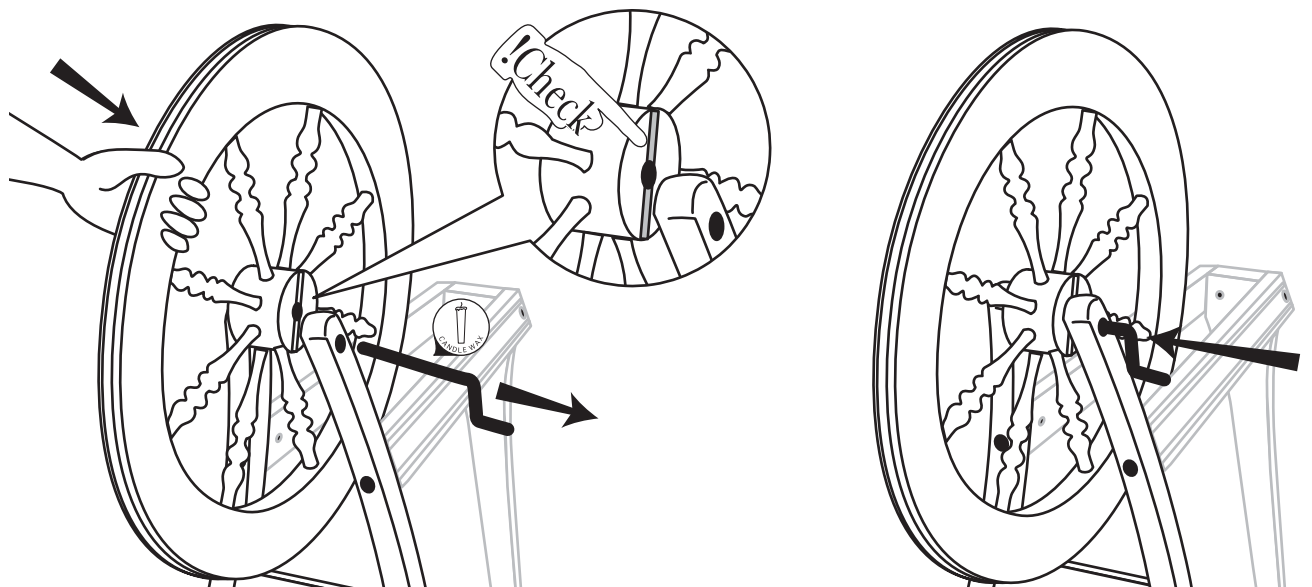
16



17

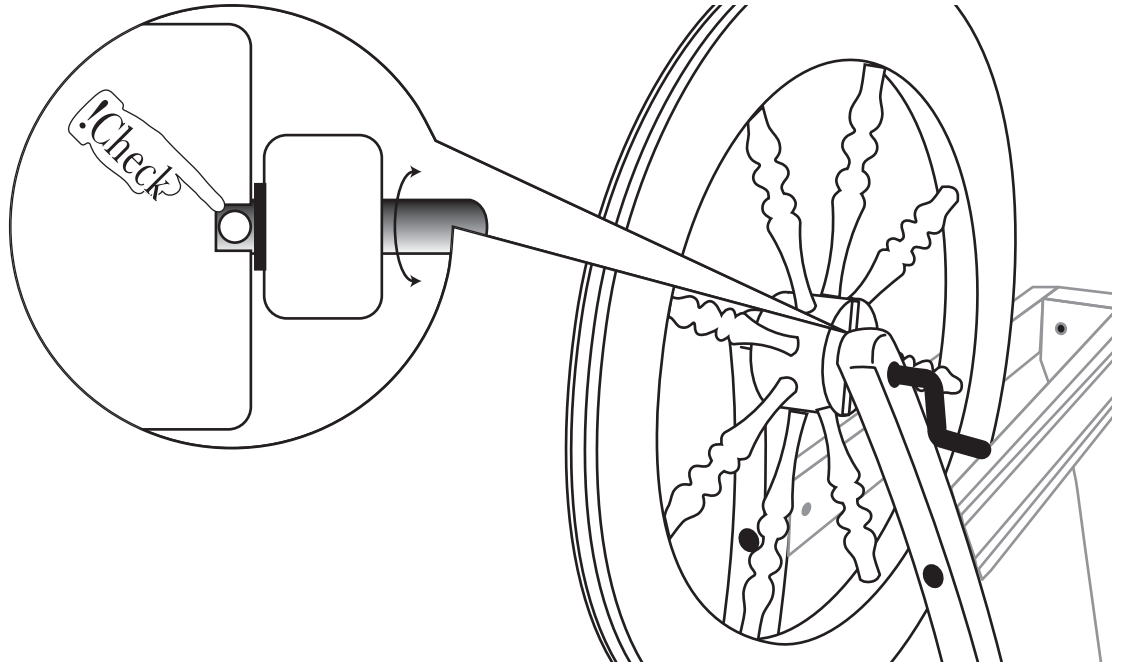


18

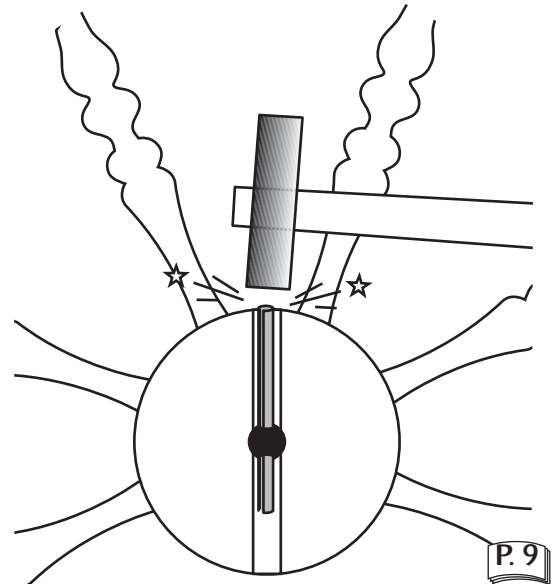
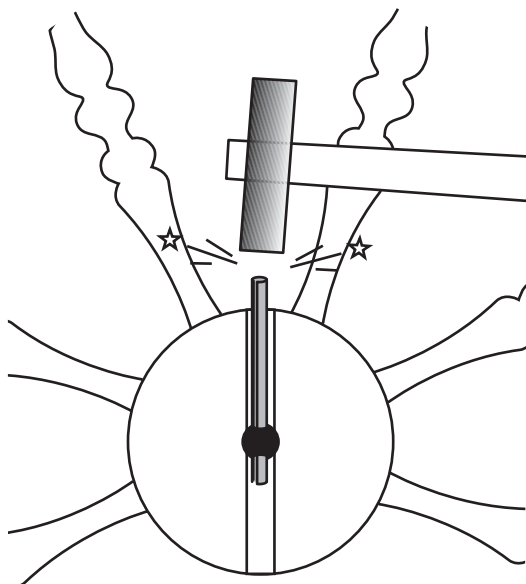
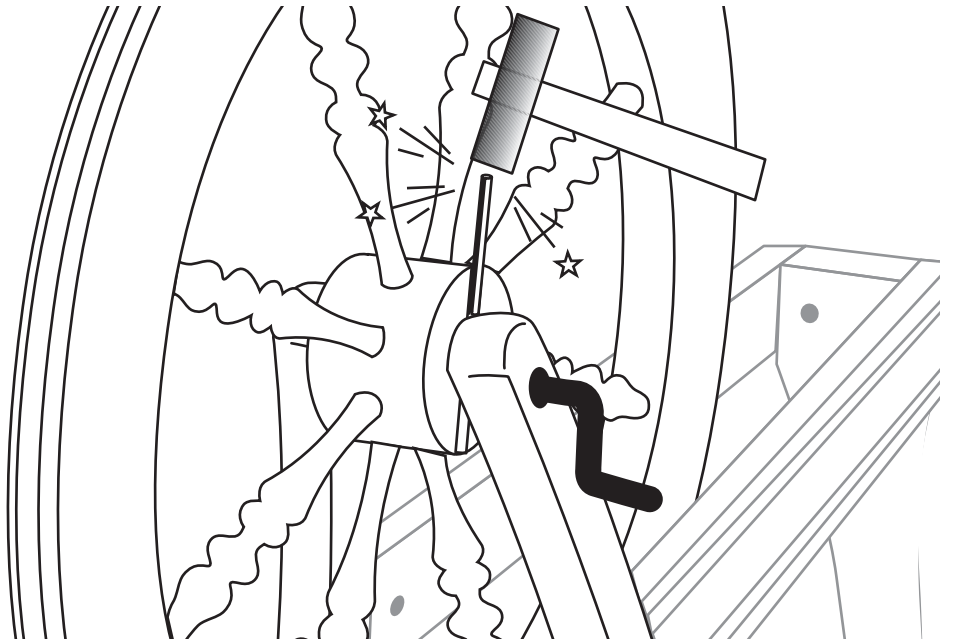
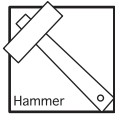


19

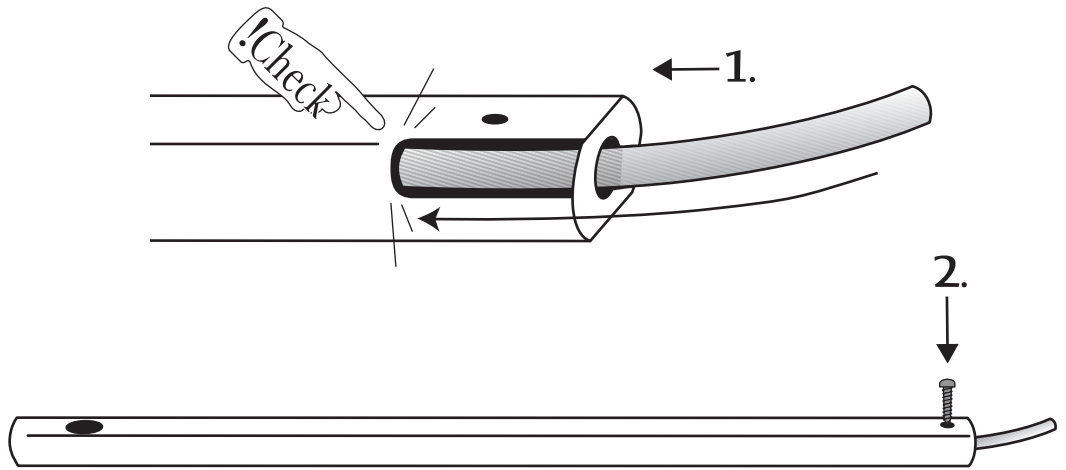
!Check



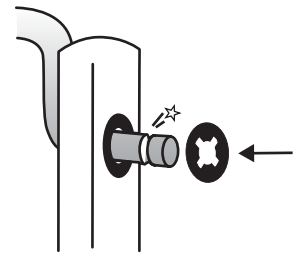
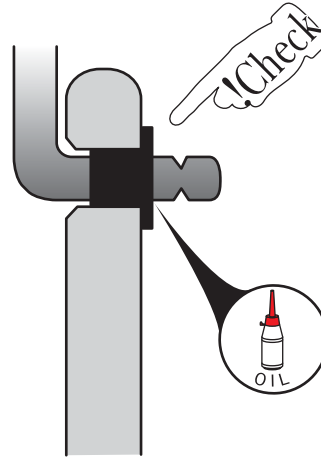
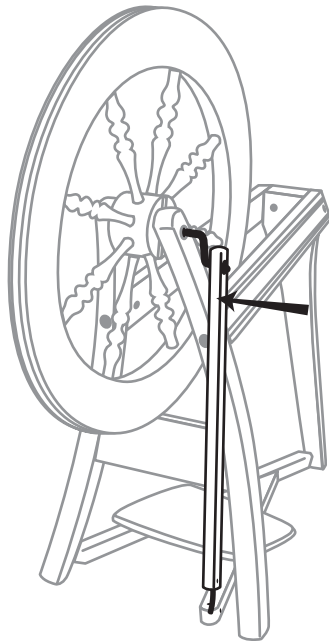
20



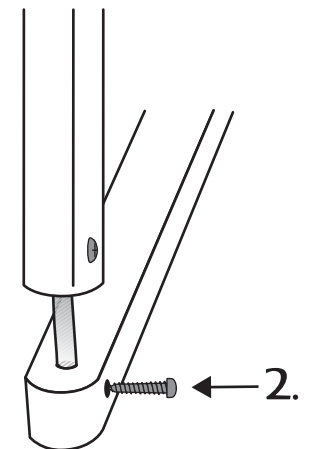
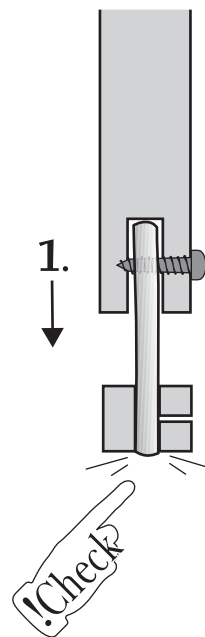
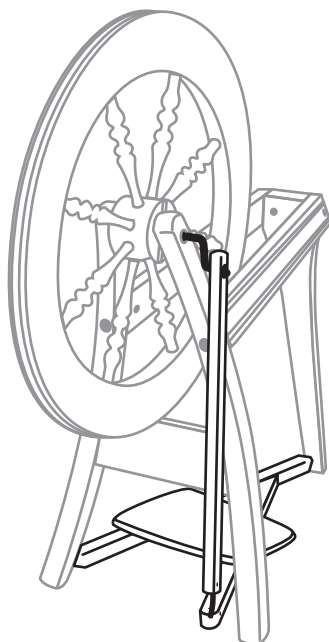
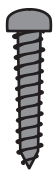
21

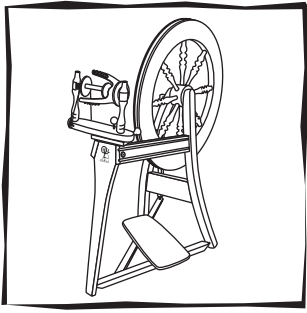


22

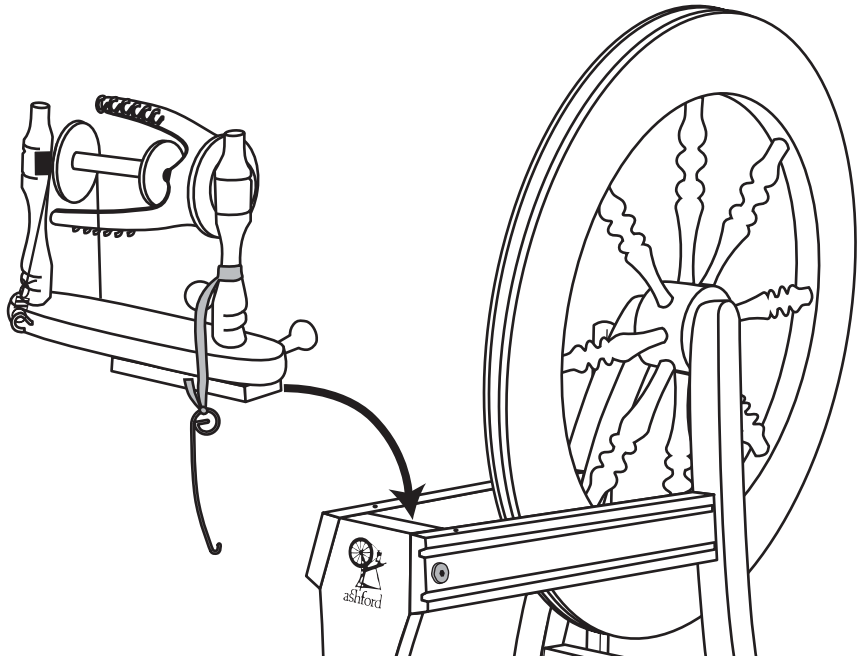


23





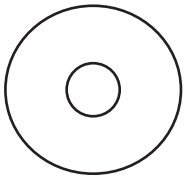
24



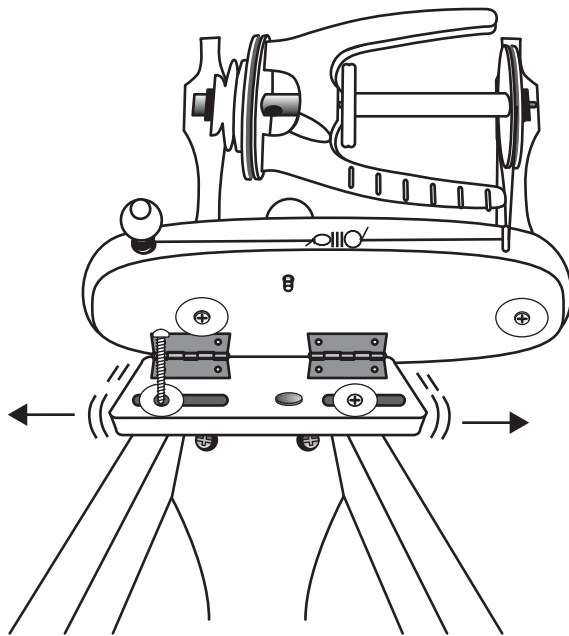
25



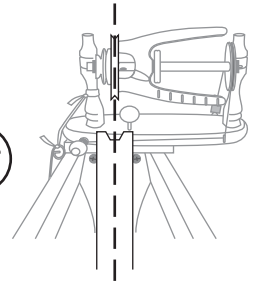
x2



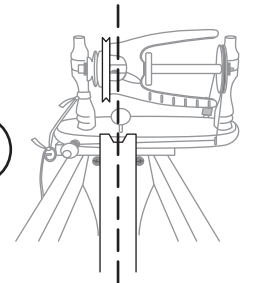
x2



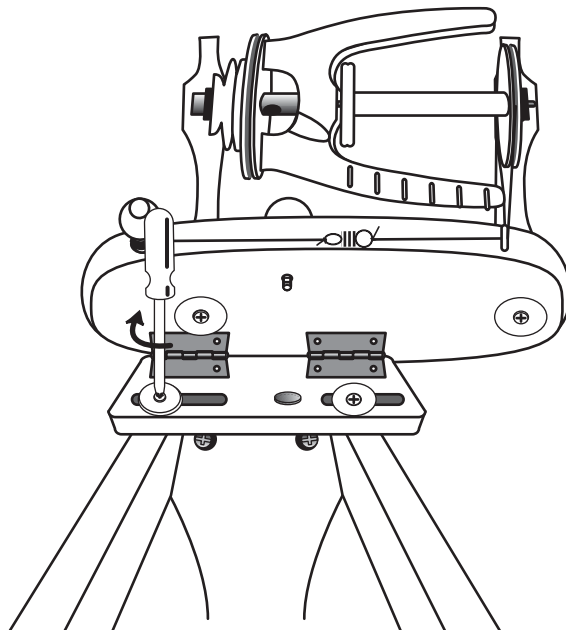
(3)



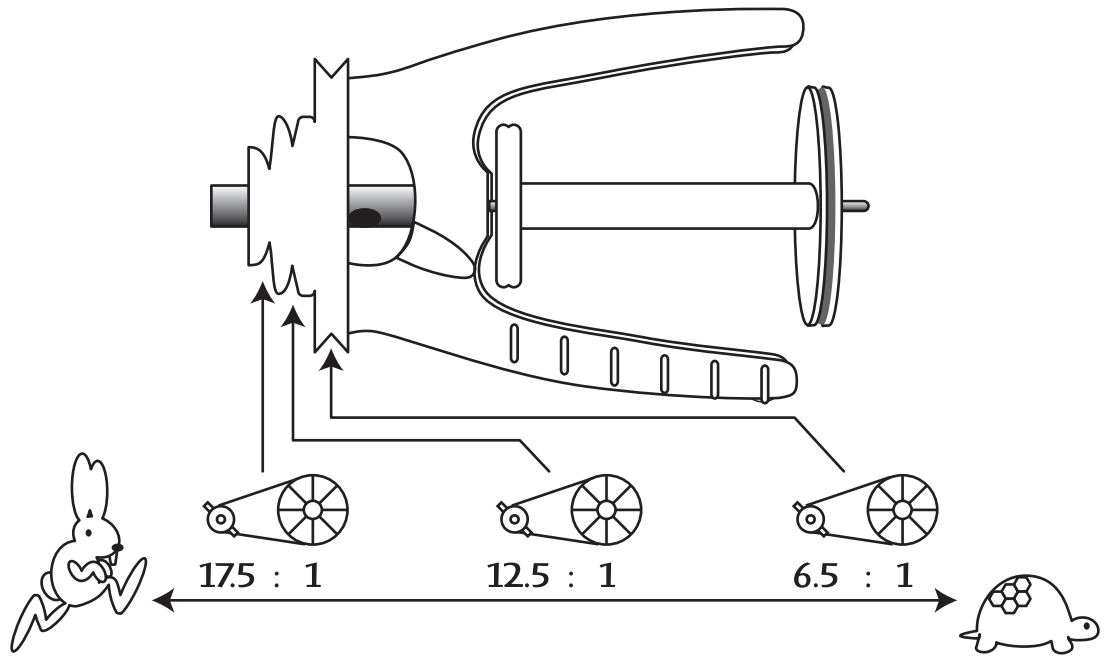
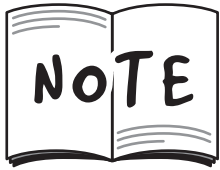
(4)



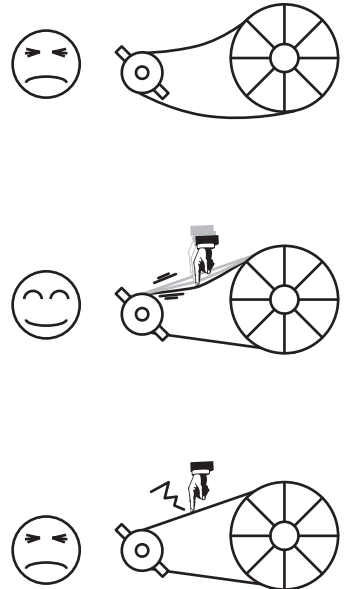
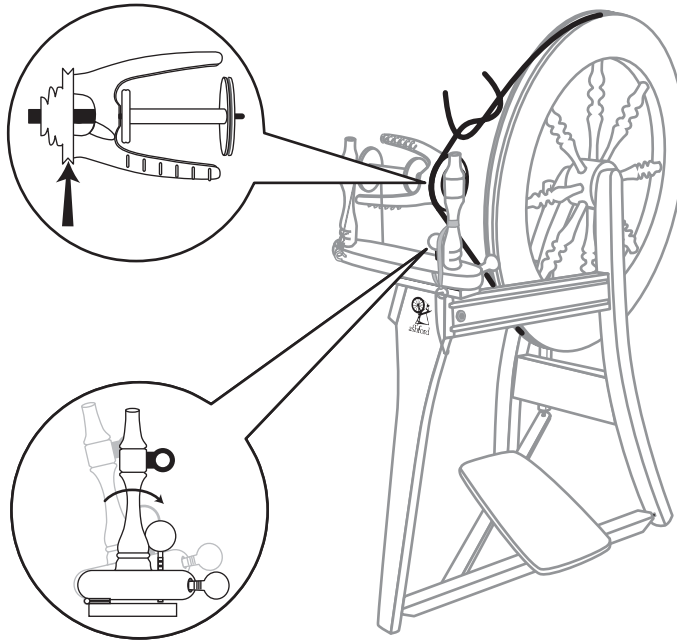
26



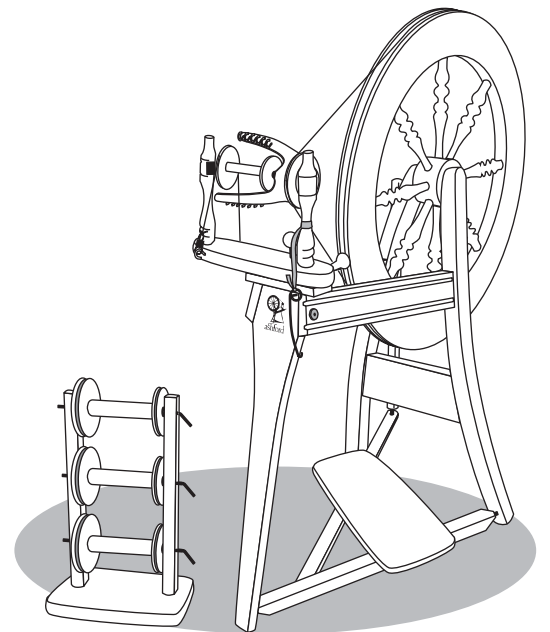
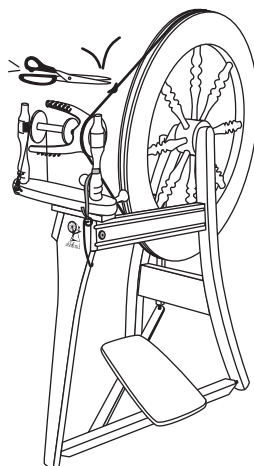
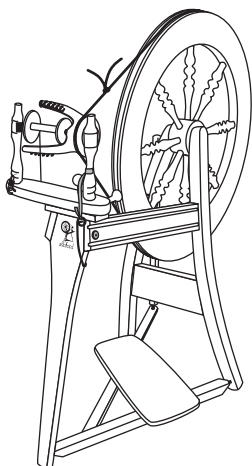
27



28



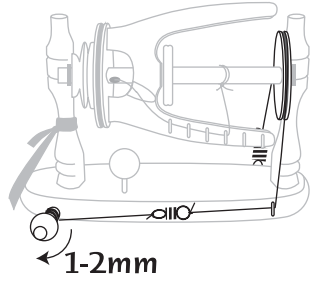
29



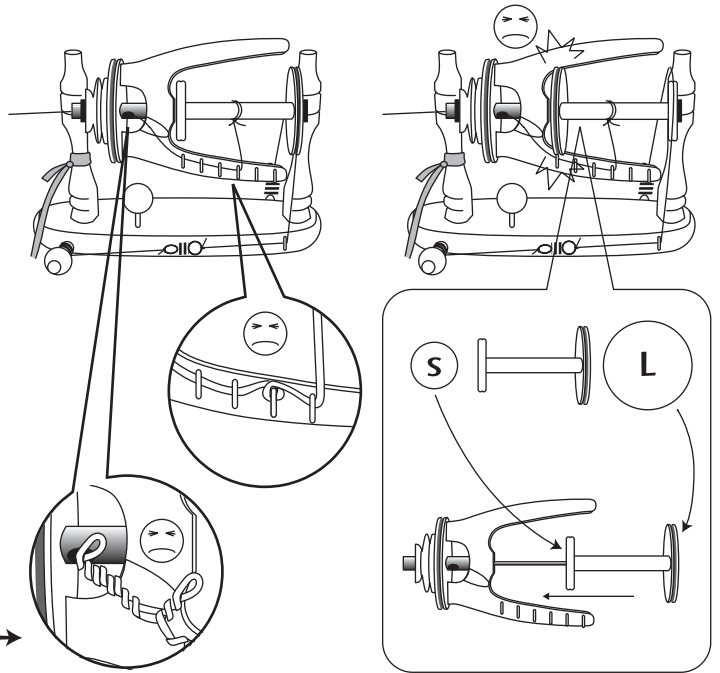


Does not pull yarn in

Brake band tension is too loose.

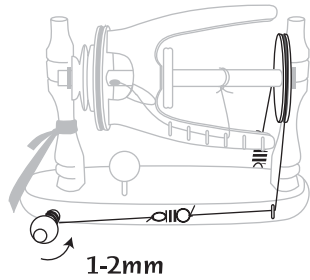


Or →

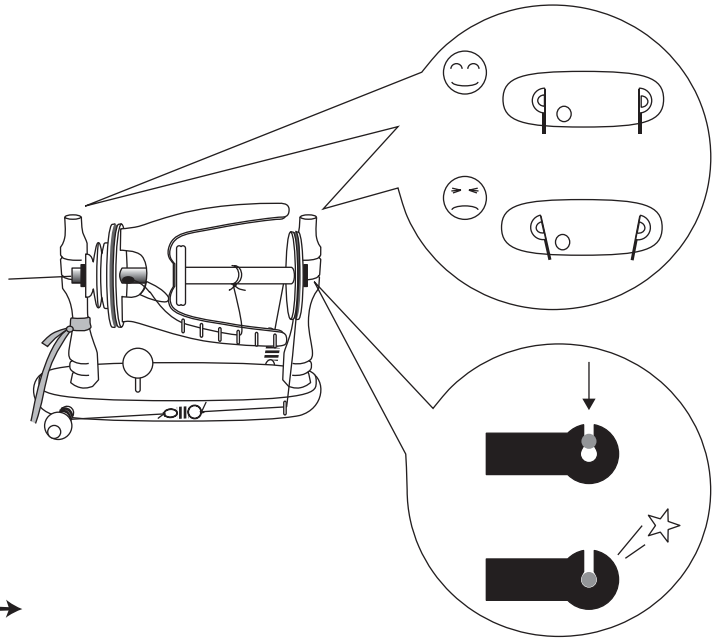


Yarn breaks

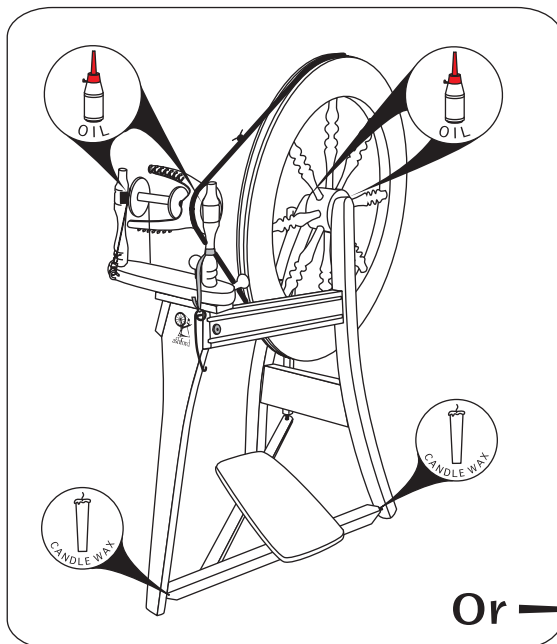
Brake band tension is too tight.



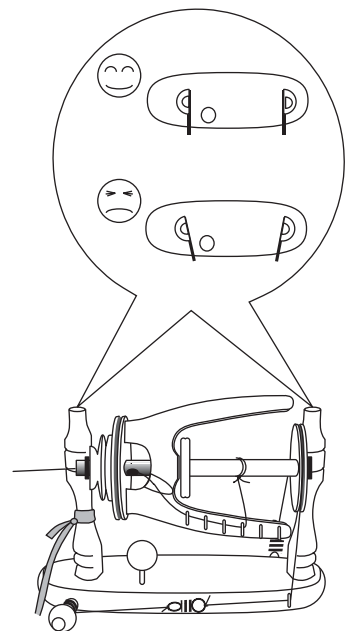
Or →



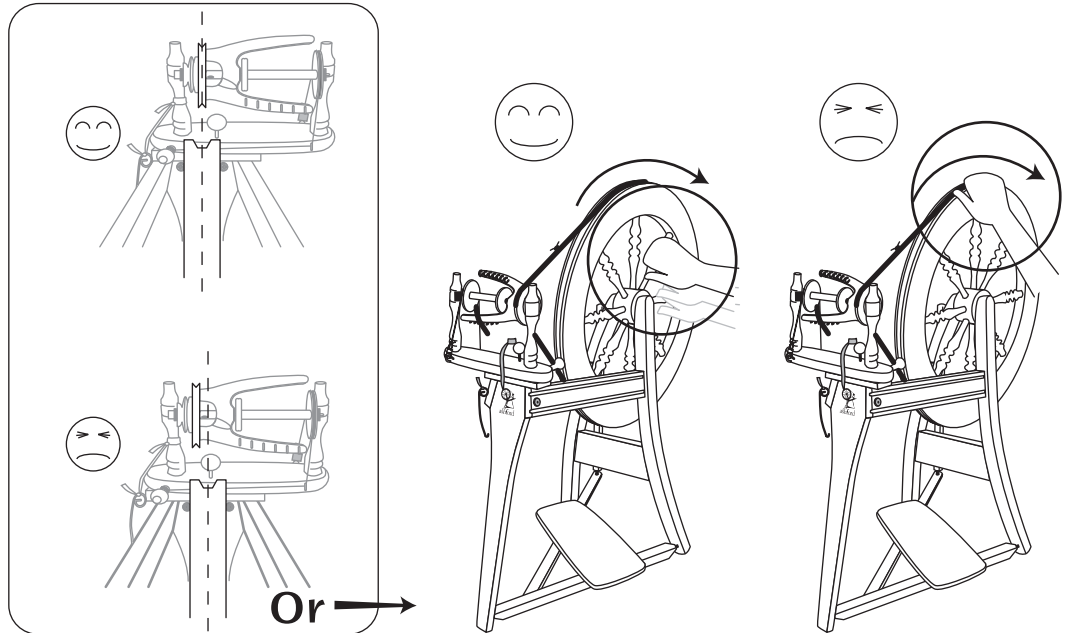
Hard to Treadle



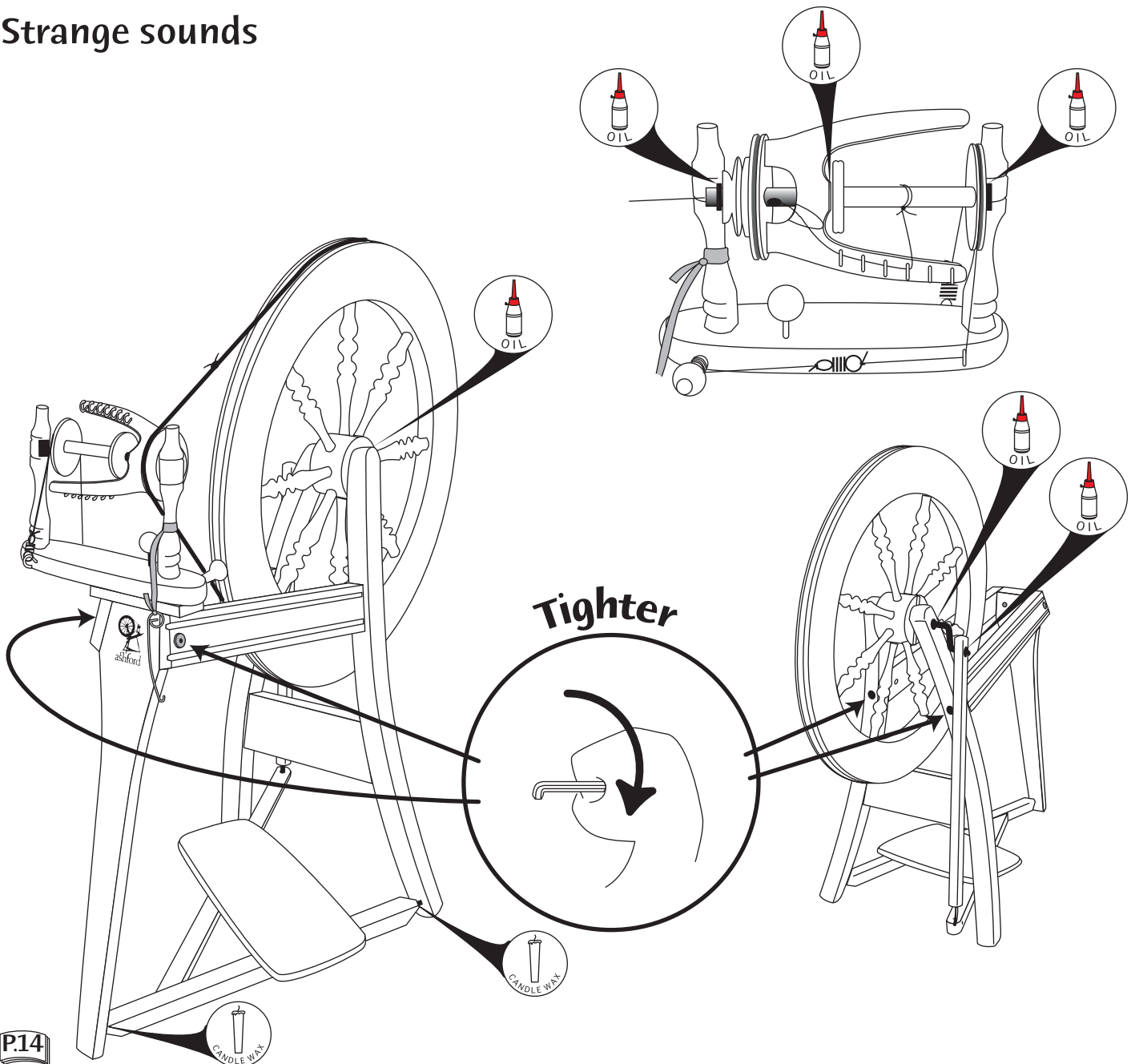
Or →



Drive band falls off easily

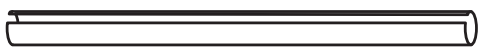
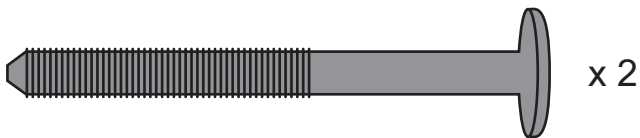


Strange sounds



Traditional Single Drive Spinning Wheel - Hardware List

1 x Single Drive Band
1 x Nylon Brake Band



1 x Hub Pin



1 x Flexible Conrod Joint



1 x Drawing Pin



13 x Cup Hooks



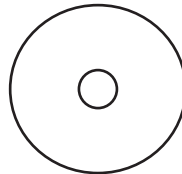
1 x Screw Eye



2 x Tension Springs



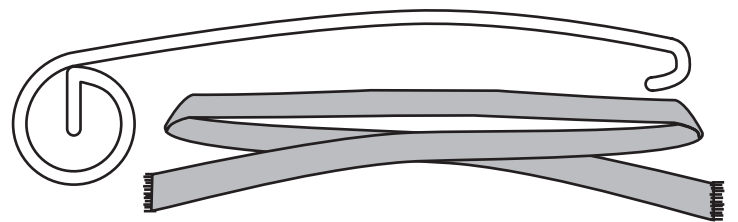
1 x "O" Clip



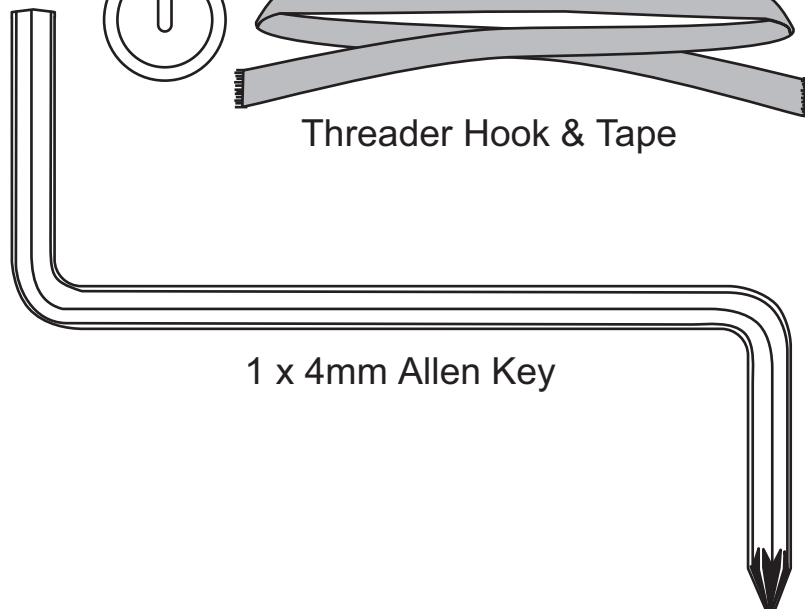
4 x Metal Washer



x 4

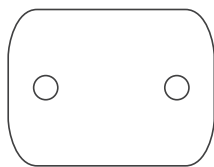


Threader Hook & Tape

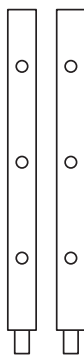


1 x 4mm Allen Key

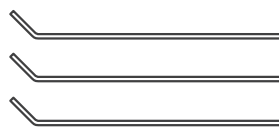
Traditional Single Drive Spinning Wheel - Parts List



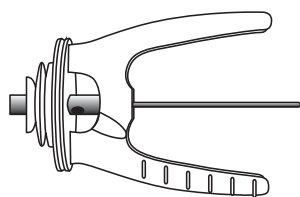
Lazy Kate Base



Lazy Kate Uprights



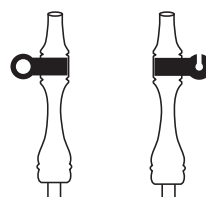
Lazy Kate Wires



Flyer



Maiden Bar



Maid Uprights



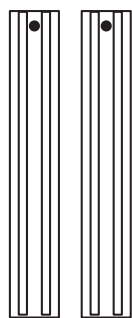
Adjusting Knob



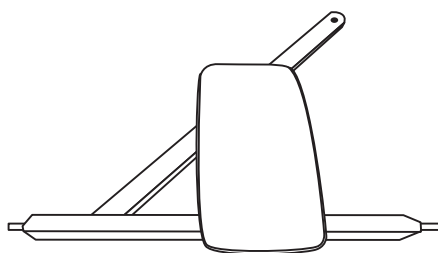
Tension Knob



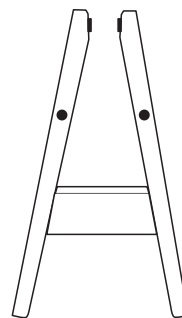
Single Leg



Side Rails



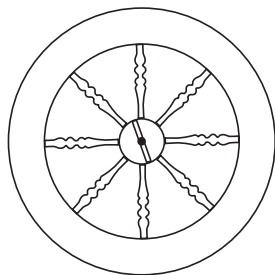
Treadle Assembly



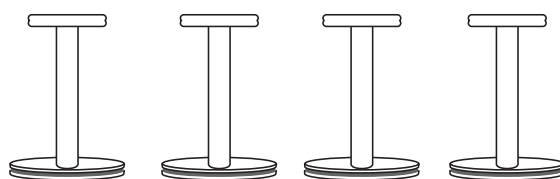
Wheel Support



Conrod



Wheel



Bobbins